

30kHz-50GHz DC Block



Product Overview

AT-DC-24M24F is a broadband DC Block from 30kHz to 50GHz. The insertion loss is -1.5 dB with -15dB return loss performance

The RF1 and RF2 connector are 2.4mm Female and Male respectively, other connector is available according to request. Input and Output ports can be changed to use.

More information, please visit www.atmicrowave.com

Advantages

- ✓ Frequency: 30kHz-50GHz
- ✓ Insertion Loss: -1.5dB
- ✓ Max Voltage: 16V
- ✓ Power Handling: +30dBm

Application

- ✓ 5G Communication
- ✓ Test Equipment
- ✓ ROF (RF Over Fiber)
- ✓ Radar System
- ✓ Optical Application

Key Features

Parameter	Min	Typical	Max
Frequency		30kHz-50GHz	
Insertion Loss		-1.5dB	-2.5dB
Return Loss	-10dB	-15dB	
Max Voltage			+16V
Power Handling			+30dBm

Ordering

Part Number	Description
AT-DC-24M24F (Default)	RF1 2.4mm Female, RF2 2.4mm Male
AT-DC-24F24F	RF1 2.4mm Female, RF2 2.4mm Female
AT-DC-24M24M	RF1 2.4mm Male, RF2 2.4mm Male





AT-DC-24M24F

30kHz-50GHz DC Block

Mechanical Information

Item	Description
RF1 Port	2.4mm Female
RF2 Port	2.4mm Male
Case Material	Copper
Finish	Gold Plated
Weight (Without Heatsink)	20g
Size:	28.5x14x5 mm

Absolute Maximum Ratings Table

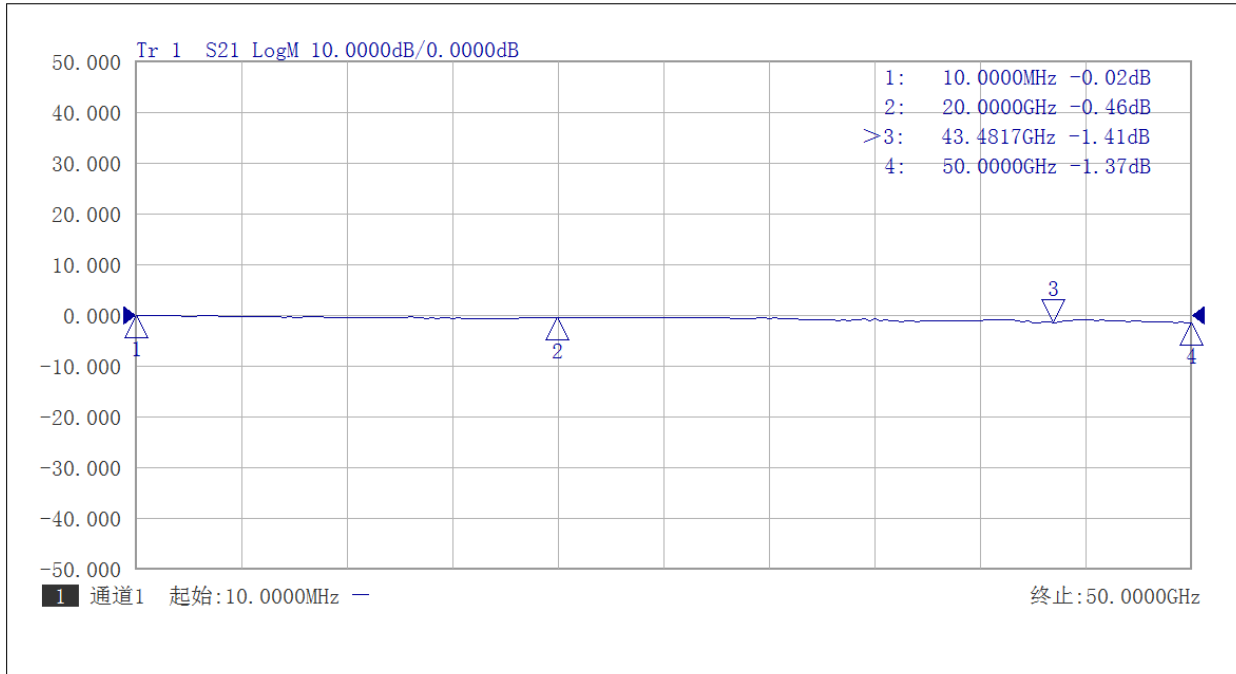
Parameter	Value
Voltage	+16V
RF RF1 Power	+30 dBm
Operating Temperature	-40 to +70C
Storage Temperature	-65 to +150C

Notes:

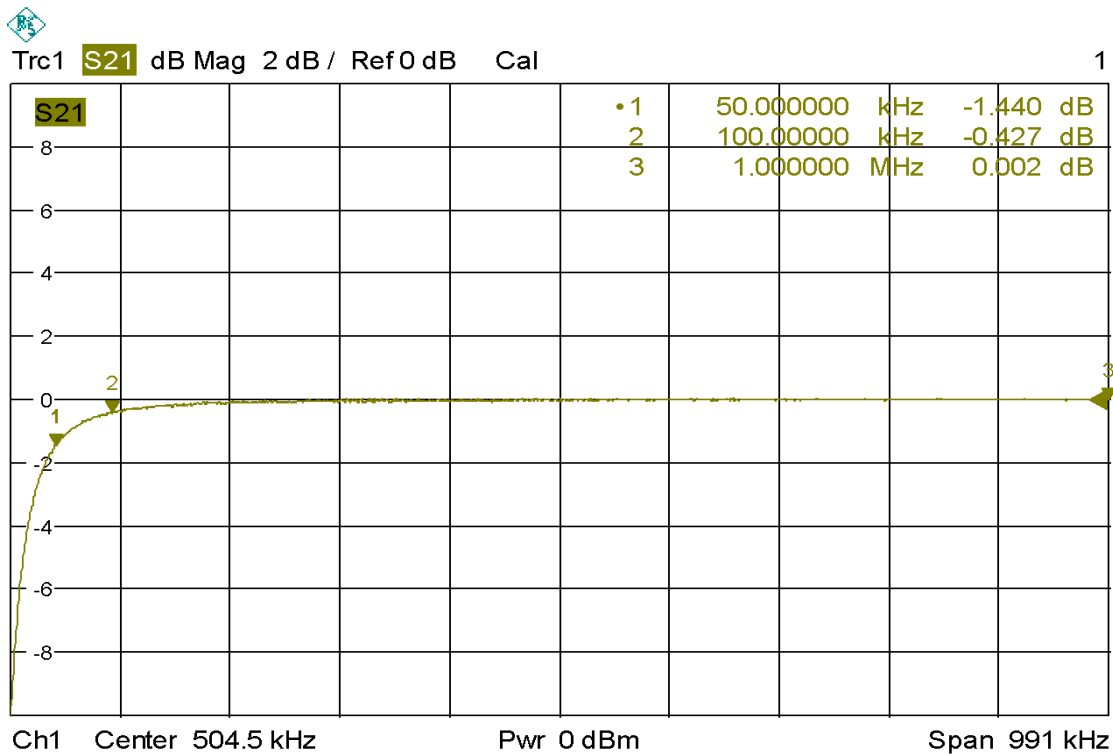
1. Datasheet may be changed according to update of MMIC, Raw materials , process, and so on.
2. This data is only for reference, not for guaranteed specifications.
3. Please contact AT Microwave team to make sure you have the most current data.



Test Data

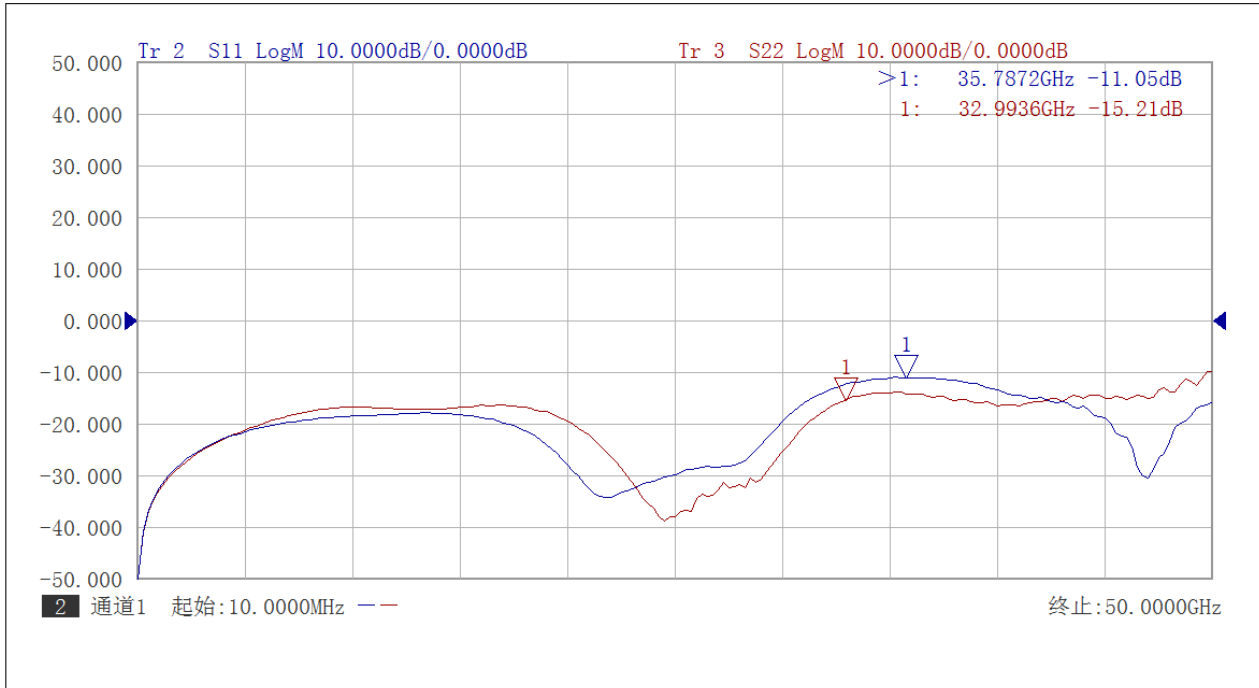


Insertion Loss vs Frequency

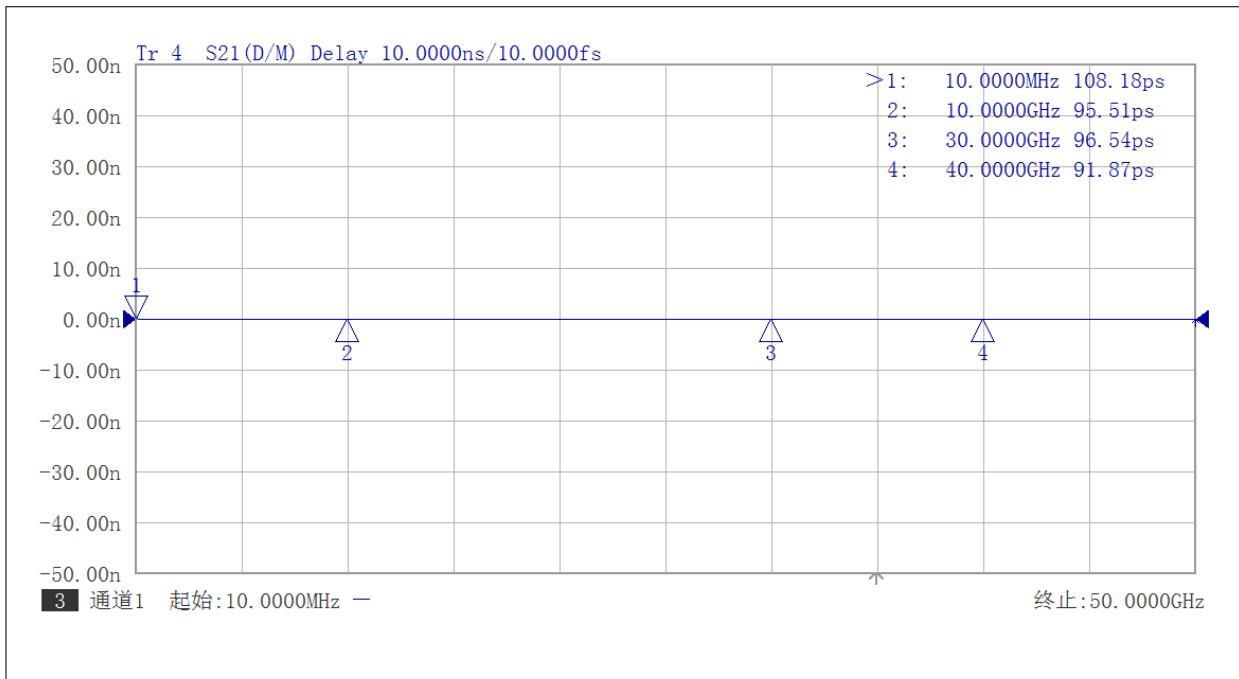


Low Frequency Insertion Loss





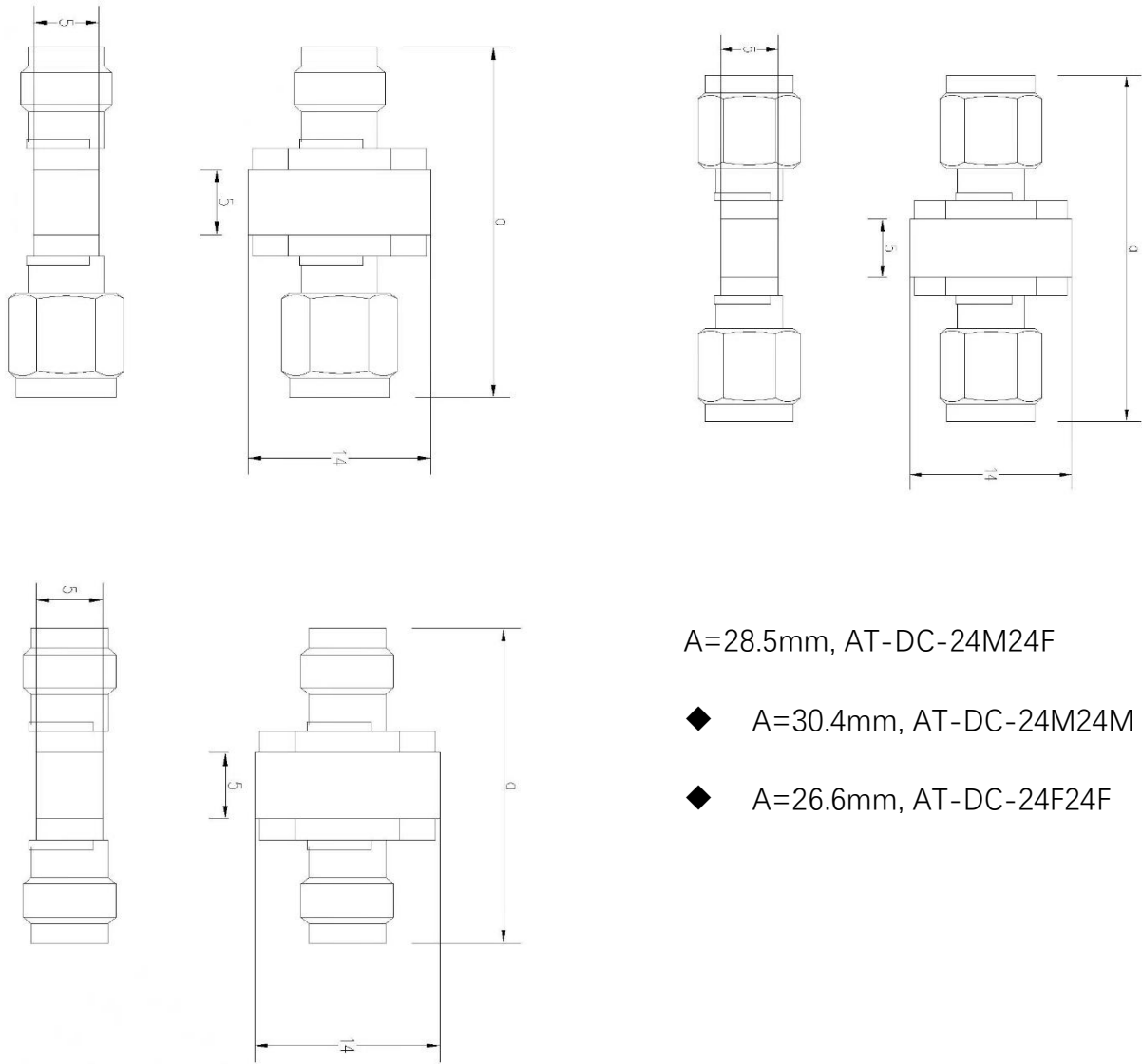
RF1 and RF2 Return Loss



Group Delay vs Frequency



Dimension: (unit in mm)



A=28.5mm, AT-DC-24M24F

◆ A=30.4mm, AT-DC-24M24M

◆ A=26.6mm, AT-DC-24F24F

PCN History

Date	Description
2020-12-07	Change to new dimension(28.5x14x5) Same design, but with lower insertion loss due to small size. Contact with us if you need Old side (14x13.3x9.5mm) last buy time is 2021-12-31
2020-12-28	Update low end frequency from 50kHz to 30kHz

