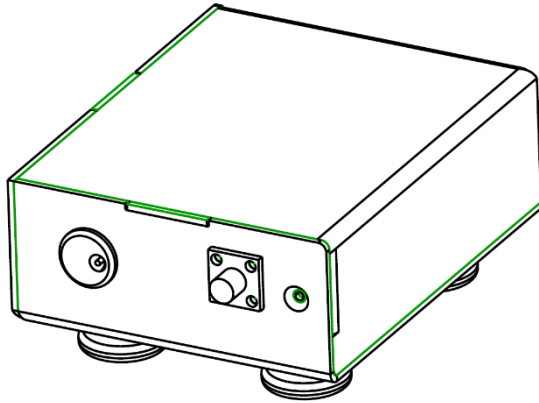


22-44GHz Compact Bench-Top Low Noise Amplifier



Product Overview

2020-12-17

AT-BTLNA-2244-3825 is high gain low noise amplifier with 38dB gain in the frequency of 22-44GHz. The DC power requirement is +220V/150mA. The module is with 2.4mm Female connector.

The compact bench-top amplifier can be used at general Labs Test. The power supply is from 110-240V, an AC to 12V DC adapter included.

More information, please visit: www.atmicrowave.com

Advantages

- ✓ Frequency: 22-44GHz
- ✓ Small signal gain: 38dB
- ✓ NF=2.5dB
- ✓ Bench-Top Test

Application

- ✓ 5G Communication
- ✓ Test Equipment
- ✓ ROF (RF Over Fiber)
- ✓ Radar System

Key Features

Parameter	Min	Typical	Max
Frequency		22-44GHz	
Gain	35	38 dB	
NF		2.5	3.5
P1Db		+13dBm	
Psat		+15dBm	
Drain Supply (AC Adapter Included)		+220V	
Current		150 mA	180mA
Input Return Loss	-5	-10dB	
Output Return Loss	-5	-10dB	
Spec Temp		25C	





AT-BTLNA-2244-3825

22-44GHz Low Noise Amplifier

Mechanical Information

Item	Description
Input Port	2.4mm Female
Output Port	2.4mm Female
DC Bias	2.5mm DC Jack
Case Material	Aluminum
Finish	Painting
Weight (Without Heatsink)	300g
Size:	80X100X35 mm

Absolute Maximum Ratings Table

Parameter	Value
Drain Supply	+240V
RF Input Power	+0 dBm
Operating Temperature	0 to + 50C
Storage Temperature	-65 to +150C

Caution:

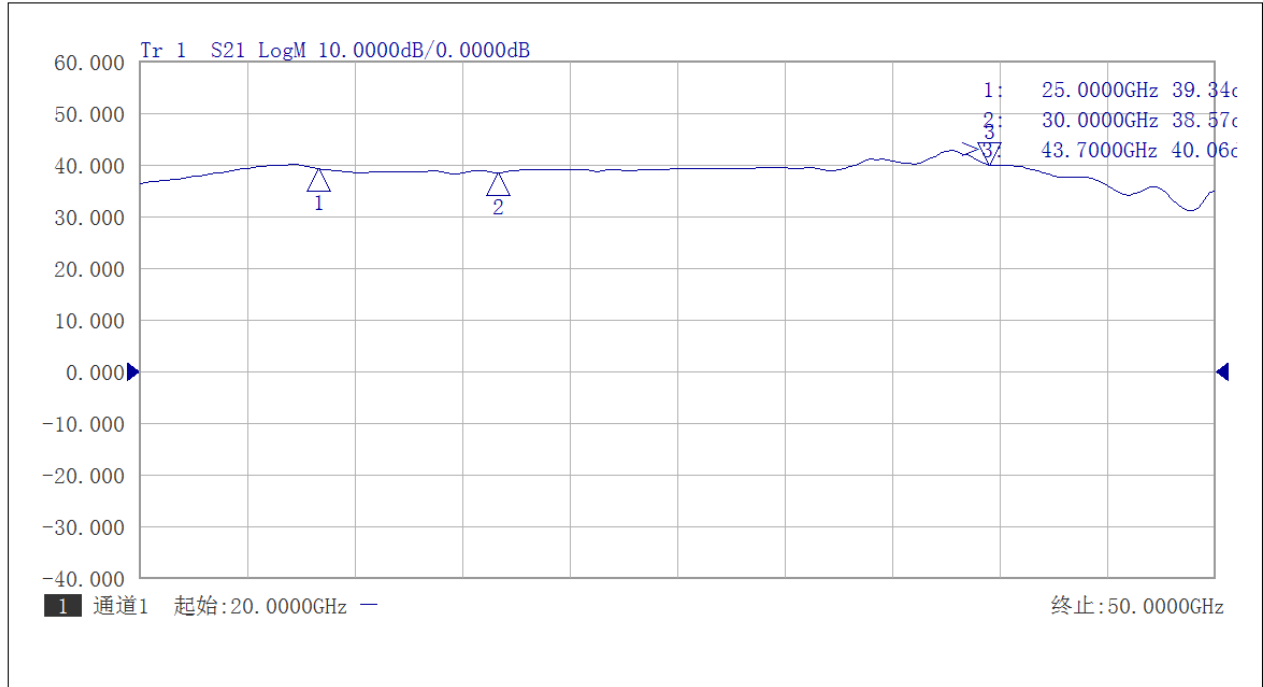
Please pay attention to the case temperature. If case temperature exceed higher than +50C, heat sink and fan are required, or the amplifier may be damaged.

Notes:

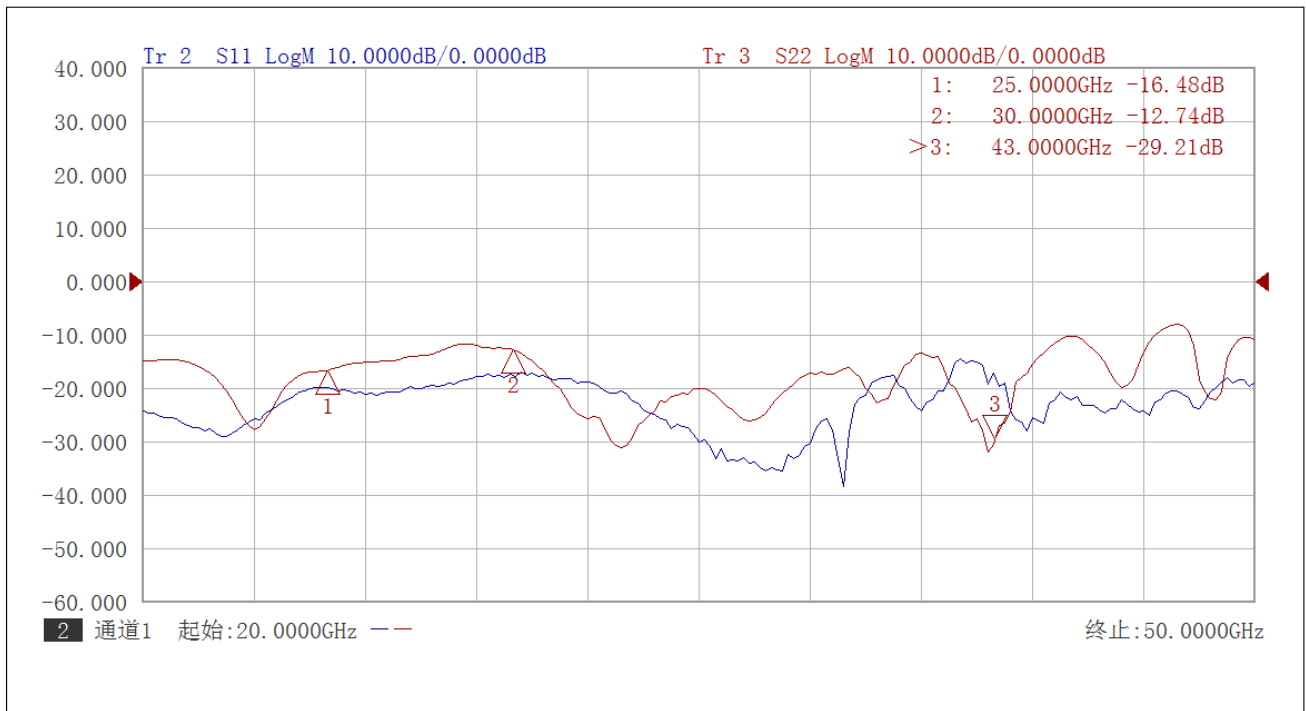
1. Datasheet may be changed according to update of MMIC, Raw materials , process, and so on.
2. This data is only for reference, not for guaranteed specifications.
3. Please contact AT Microwave team to make sure you have the most current data.



Test Data



Gain vs Frequency



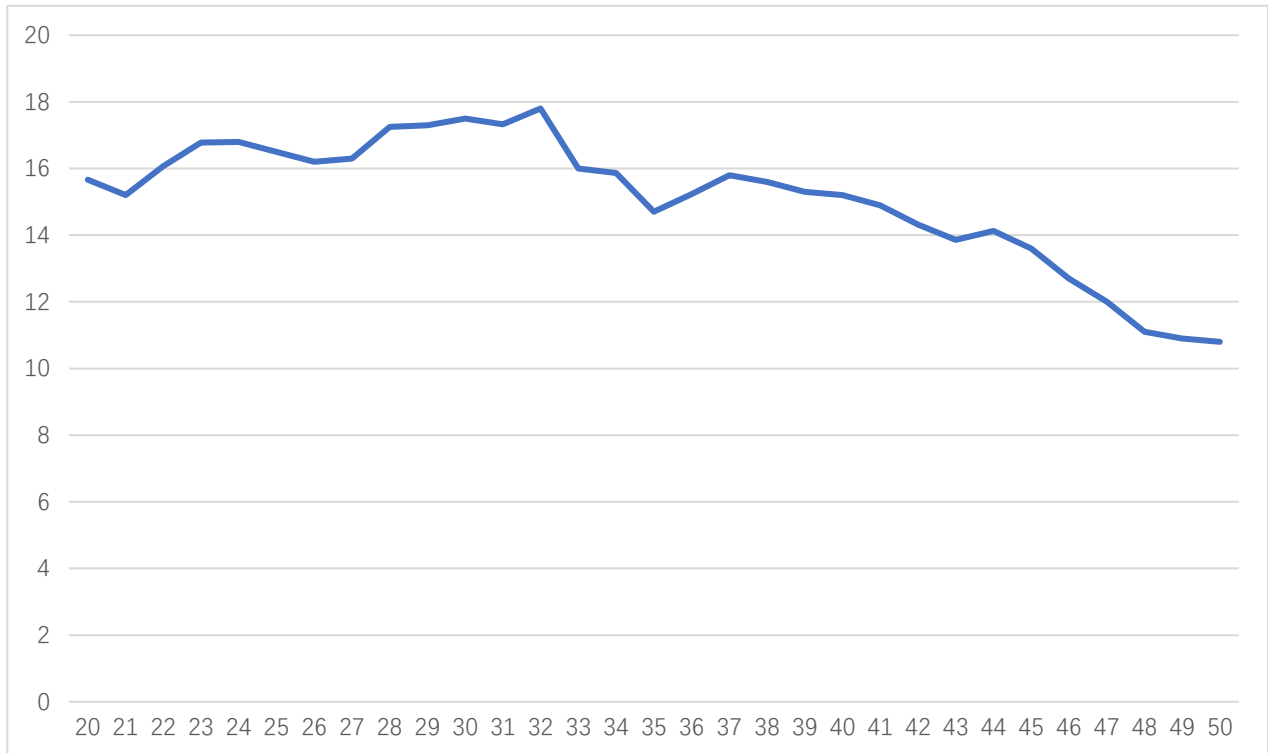
Return Loss vs Frequency





AT-BTLNA-2244-3825

22-44GHz Low Noise Amplifier



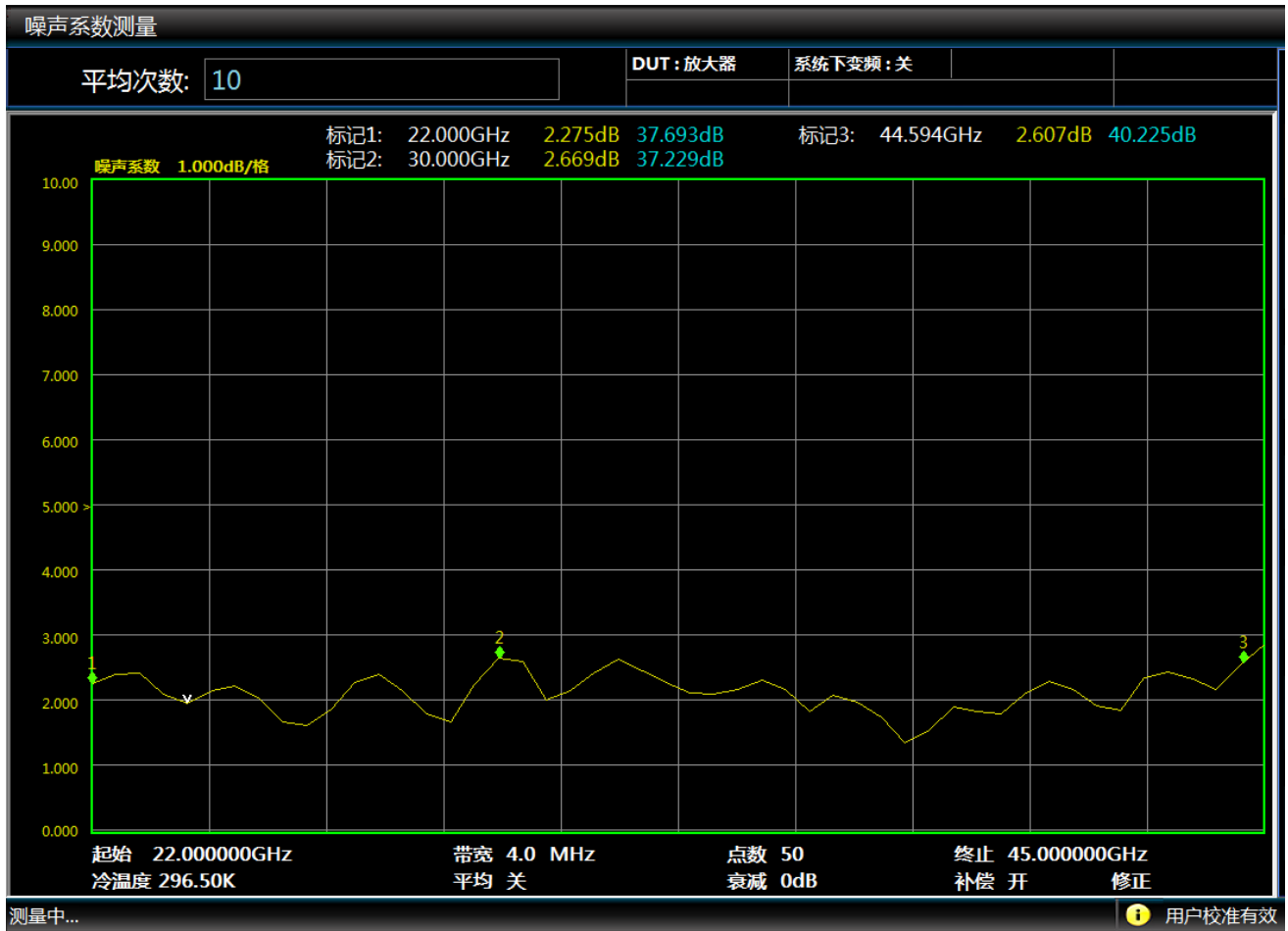
Psat vs Frequency at Pin=-10dBm





AT-BTLNA-2244-3825

22-44GHz Low Noise Amplifier



NF vs Frequency



Dimension: (unit in mm)

