

H Band Down-Converter

2022-4-15

200-230GHz, Gain=20dB, WR-04



Product Overview

AT-BTDC8-200230R is H Band down-converter with RF-IF gain 20dB. RF Frequency range is 200-230GHz, and IF range is 50kHz -20GHz. Higher RF-IF gain is available according to request.

The down-converter can be used for NF test and general receiver application. The RF Port is with standard WR-04. LO input port is 2.92mm Female and IF output is SMA Female.

More information, please visit www.atmicrowave.com

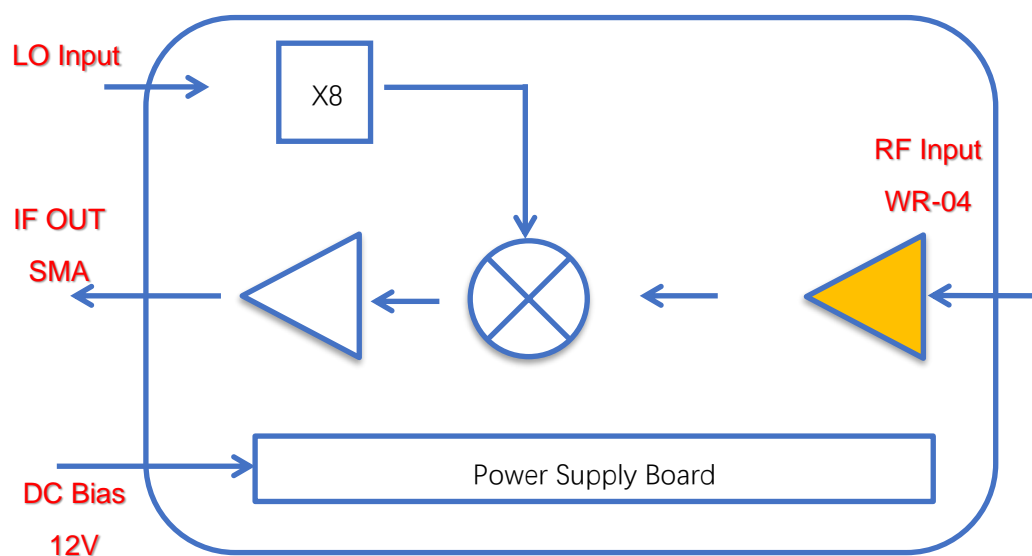
Advantages

- ✓ Frequency: 200-230GHz
- ✓ Gain: 20dB
- ✓ IF: 50kHz-20GHz
- ✓ LO Input: 25-28.75GHz, +13dBm
- ✓ LO X8 inside

Application

- ✓ Noise Figure Test
- ✓ 5G Communication
- ✓ ROF (RF Over Fiber)
- ✓ Radar System
- ✓ RCS Test

Diagram Block:





AT-BTDC8-200230R

Bench-Top H Band Down-Converter

Key Features

Test condition: RF Input Power=-30dBm, IF=100MHz, 25C

Parameter	Min	Typical	Max
RF Frequency		200-230GHz	
LO Frequency		25-28.75GHz	
LO Frequency Times		X8	
LO Driver	+10dBm	+13dBm	+15dBm
IF Frequency		50kHz-20GHz	
RF-IF Gain	17dB	20dB	
Noise Figure		8dB	10dB
RF Port Input P1dB		-18dBm	
RF Input Power			-10dBm
IF Output Return Loss		-10dB	
Power Supply (With AC/DC Adapter)	+90V	+220V	+240V
RF Input Port		WR-04	
Spec Temp		25C	

Notes:

1. Datasheet may be changed according to update of MMIC, Raw materials , process, and so on.
2. This data is only for reference, not for guaranteed specifications.
3. Please contact AT Microwave team to make sure you have the most current data.





AT-BTDC8-200230R

Bench-Top H Band Down-Converter

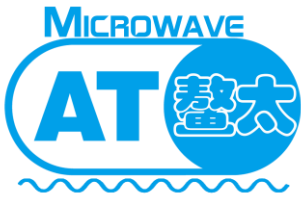
Mechanical Information:

Parameter	Value
RF Port	WR-04
IF Port	SMA Female
LO Port	2.92mm Female
DC Bias	+12V Supply, AC to DC Power Converter included
DC Bias Switch	ON-OFF switch with light indicator
Dimension	See outline

Absolute Maximum Ratings Table

Parameter	Value
AC Supply	+260V
RF Input Power	+8dBm
LO Port Power	+18dBm
Operating Temperature	0 to 50 C
Storage Temperature	-65 to +150C





AT-BTDC8-200230R

Bench-Top H Band Down-Converter

Dimension: (mm)

