

E Band (60-90GHz) Down-Converter Low NF Receiver, WR-12

2022-7-11



Product Overview

AT-BTDC-6090 is low NF full E Band down-converter with X6 frequency multiplier inside. The down converter gain is 20dB with RF amplifiers.

The down-converter can be used for NF test and general receiver application. The RF Port is with standard WR-12. LO input port and IF Output port are SMA Female. AT Microwave provides full band down-convertors from U band to D Band.

More information, please visit www.atmicrowave.com

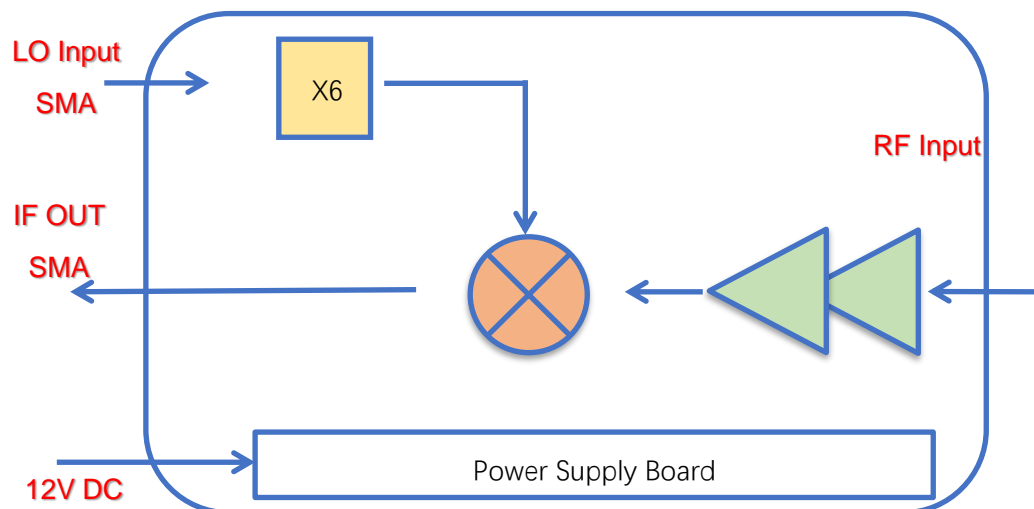
Advantages

- ✓ Frequency: 60-90GHz
- ✓ Gain:20dB
- ✓ IF: DC-12GHz
- ✓ LO Input: 10-15GHz, +3dBm
- ✓ Bench-Top Labs Test

Application

- ✓ Noise Figure Test
- ✓ 5G Communication
- ✓ ROF (RF Over Fiber)
- ✓ Radar System
- ✓ RCS Test

Diagram Block:





AT-BTDC-6090R

Bench-Top E Band Down-Converter

Key Features (Test condition IF=100MHz)

Parameter	Min	Typical	Max
RF Frequency	60GHz		90GHz
LO Frequency	10GHz		15GHz
LO Multiplier Factor		X6	
LO Driver	+0	+3dBm	+5dBm
IF Frequency		DC-12GHz	
RF-IF Gain (IF=100MHz)		20dB	
RF Input P1dB		-35dBm	
Noise Figure		6dB	8dB
RF Input Return Loss		-8dB	
IF Output Return Loss		-10dB	
Power Supply (With AC/DC Adapter)	+90V	+220V	+240V
Spec Temp		25C	

Mechanical Information:

Parameter	Value
RF Port	WR-12
LO/IF Port	SMA Female
DC Bias	+12V Supply, AC to DC Power Converter included
DC Bias Switch	ON-OFF switch with light indicator
Dimension	See outline

Absolute Maximum Ratings Table

Parameter	Value
AC Supply	+260V
RF Input Power	0dBm
LO Port Power	+15dBm
Operating Temperature	0 to 50 C
Storage Temperature	-65 to +150C



Shanghai AT Microwave Limited
Tel:021-6229 1233 sales@atmicrowave.com
www.atmicrowave.com

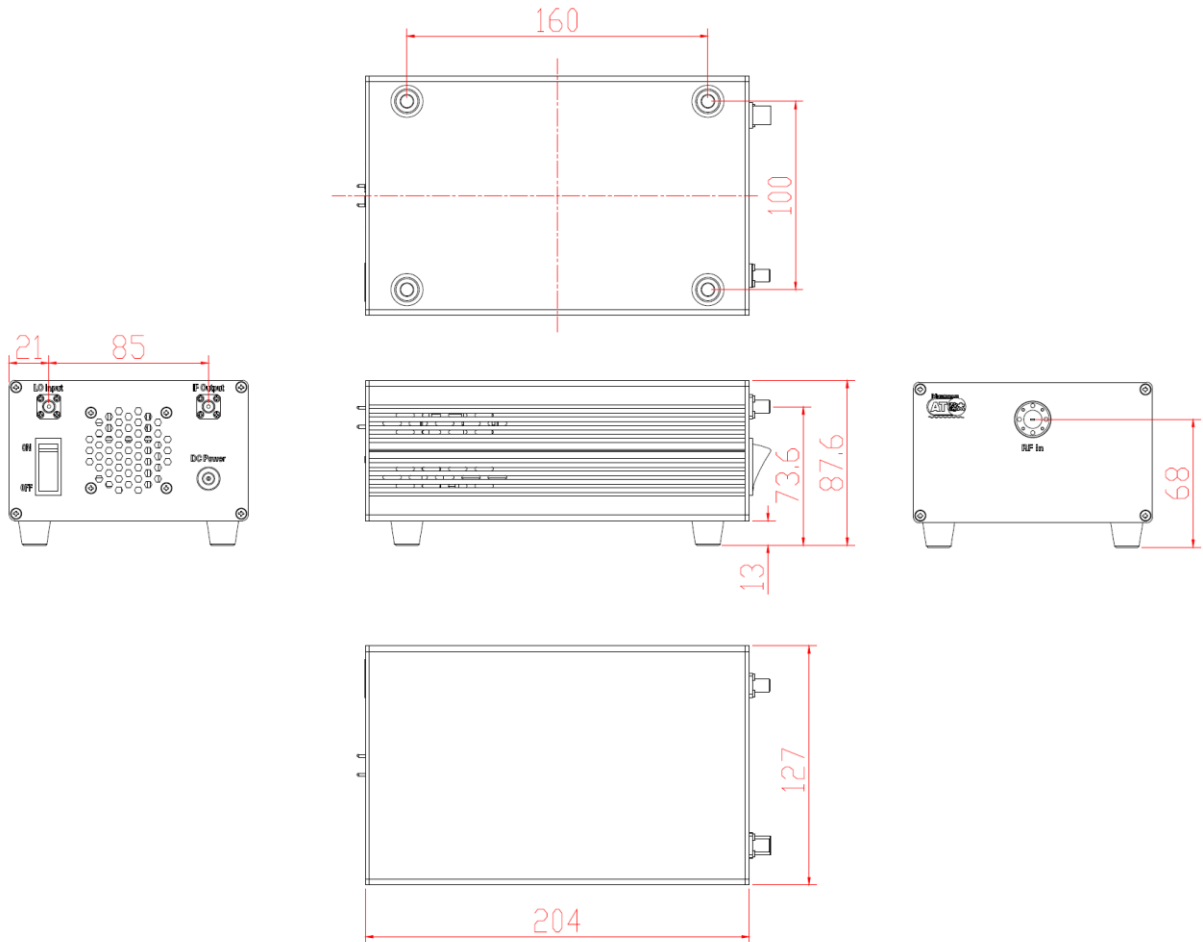




AT-BTDC-6090R

Bench-Top E Band Down-Converter

Dimension: (mm)



PCN

Date	Description
2022-7-11	Change LO driver from +13dBm to +3dBm Adding NF value.



Shanghai AT Microwave Limited
 Tel:021-6229 1233 sales@atmicrowave.com
 www.atmicrowave.com

