

30-52GHz Down-Converter

2022-9-1

High gain 25dB, Low NF=3.5dB



Product Overview

AT-BTDC-3052R is 30-52GHz down-converter with X4 frequency multiplier inside. The down converter RF-IF gain is 25dB with high gain RF amplifier.

The down-converter can be used for NF test and general receiver application. The RF Port is with standard 2.4mm. LO input port and IF Output port are SMA Female.

More information, please visit www.atmicrowave.com

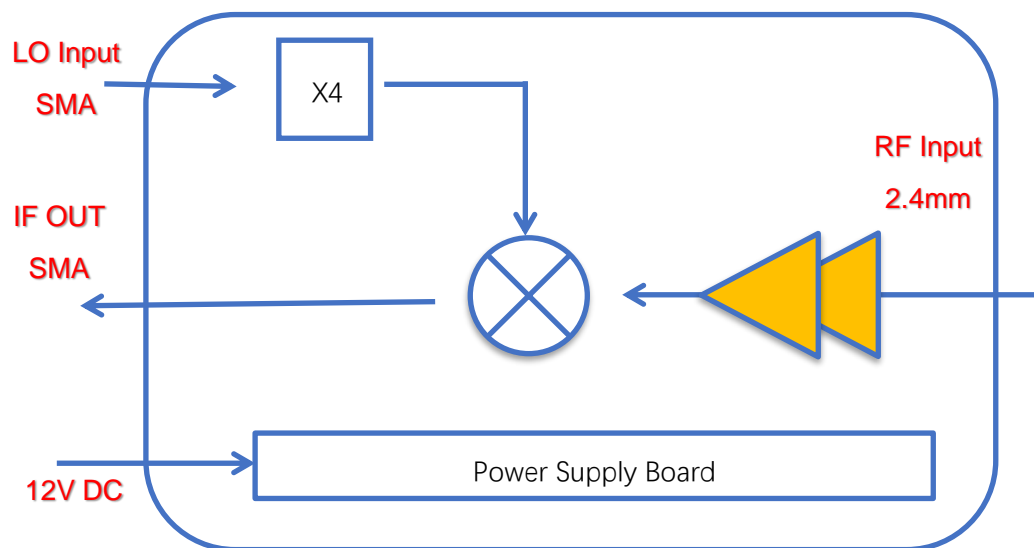
Advantages

- ✓ Frequency: 30-52GHz
- ✓ Gain: 25dB
- ✓ IF: DC-20GHz
- ✓ LO X4 inside
- ✓ Bench-Top Labs Test

Application

- ✓ Noise Figure Test
- ✓ 5G Communication
- ✓ ROF (RF Over Fiber)
- ✓ Radar System
- ✓ RCS Test

Diagram Block:



Shanghai AT Microwave Limited

Tel:021-6229 1233 sales@atmicrowave.com

www.atmicrowave.com





AT-BTDC-3052R

Bench-Top 30-52GHz Down-Converter

Key Features

Parameter	Min	Typical	Max
RF Frequency	30GHz		52GHz
LO Frequency	7.5GHz		13GHz
LO Multiplier Factor		X4	
LO Driver	+10	+13dBm	+15dBm
IF Frequency		DC-20GHz	
RF-IF Gain	20dB	25dB	
Noise Figure		3.5dB	4.5dB
RF Input Return Loss		-10dB	
IF Output Return Loss		-10dB	
Power Supply (with AC/DC Adapter)	+90V	+220V	+240V
Spec Temp		25C	

Mechanical Information:

Parameter	Value
RF Port	2.4mm Female
LO/IF Port	SMA Female
DC Bias	+12V Supply, AC to DC Power Converter included
DC Bias Switch	ON-OFF switch with light indicator
Dimension	204x127x74.6mm

Absolute Maximum Ratings Table

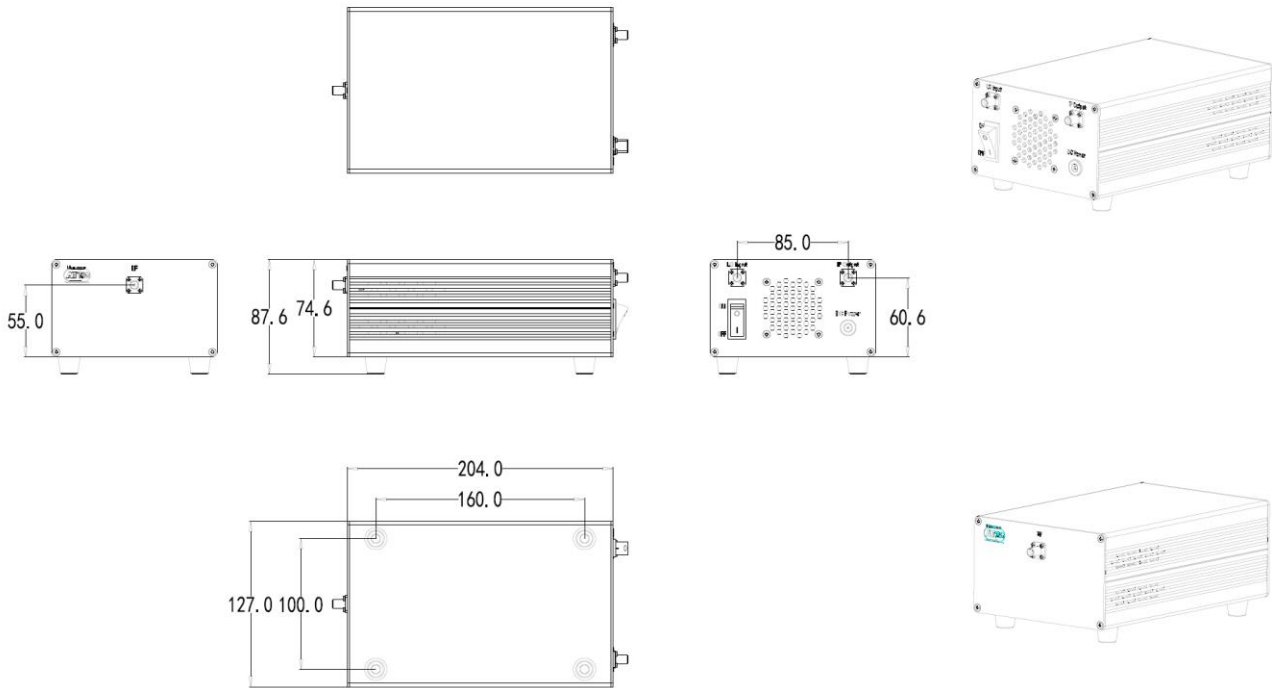
Parameter	Value
AC Supply	+260V
RF Input Power	+10dBm
LO Port Power	+18dBm
Operating Temperature	0 to 50 C
Storage Temperature	-65 to +150C



Shanghai AT Microwave Limited
Tel:021-6229 1233 sales@atmicrowave.com
www.atmicrowave.com



Dimension: (mm)



Notes:

1. Datasheet may be changed according to update of MMIC, Raw materials , process, and so on.
2. This data is only for reference, not for guaranteed specifications.
3. Please contact AT Microwave team to make sure you have the most current data.

