

### 18-50GHz Down-Converter



#### Product Overview

AT-BTDC-1850 is 18-50GHz down-converter with X4 frequency multiplier inside. The down converter RF-IF gain is 5dB with IF amplifier.

The down-converter can be used for NF test and general receiver application. The RF Port is with standard 2.4mm. LO input port and IF Output port are SMA Female.

Higher gain with lower NF is available by AT-BTDC-1850R, with gain=15dB and NF=6dB.

More information, please visit [www.atmicrowave.com](http://www.atmicrowave.com)

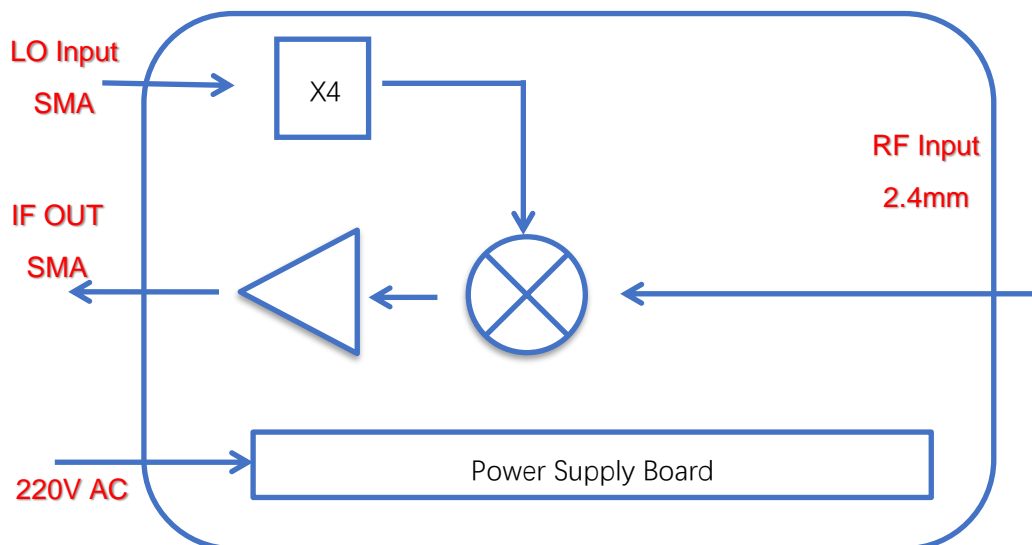
#### Advantages

- ✓ Frequency: 18-50GHz
- ✓ Gain:5dB
- ✓ IF: 50kHz-20GHz
- ✓ LO X4 inside
- ✓ Bench-Top Labs Test

#### Application

- ✓ Noise Figure Test
- ✓ 5G Communication
- ✓ ROF (RF Over Fiber)
- ✓ Radar System
- ✓ RCS Test

#### Diagram Block:





# AT-BTDC-1850

Bench-Top 18-50GHz Down-Converter

## Key Features

Parameter	Min	Typical	Max
RF Frequency	18GHz		50GHz
LO Frequency	4.5GHz		12.5GHz
LO Multiplier Factor		X4	
LO Driver	+10	+13dBm	+15dBm
IF Frequency	50kHz	10MHz-20GHz	
RF-IF Gain		5dB	
Noise Figure		13dB	
RF Input Return Loss		-10dB	
IF Output Return Loss		-10dB	
Power Supply	90V	220V	240V
RF Input Port		2.4mm Female	
LO Input Port		SMA Female	
IF Output Port		SMA Female	

## Absolute Maximum Ratings Table

Parameter	Value
RF Input Power	+23dBm
LO Input Power	+23dBm
Power Supply	260V
Operating Temperature	0 to 50C
Storage Temperature	-65 to +140C

## Notes:

1. Datasheet may be changed according to update of MMIC, Raw materials , process, and so on.
2. This data is only for reference, not for guaranteed specifications.
3. Please contact AT Microwave team to make sure you have the most current data.



Dimension: (tbd)

