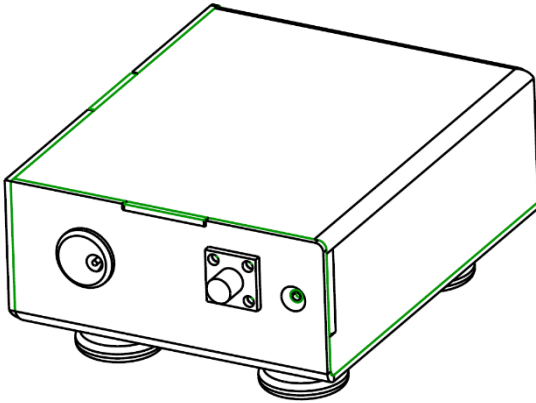


10MHz-67GHz Compact Bench-Top Broadband Amplifier



Product Overview

AT-BTBB-0067-1815C is broadband amplifier from 10MHz-67GHz, with $P_{out}=+15\text{dBm}$, $NF=6\text{dB}$. It can be used both as Power amplifier or low noise amplifier. The DC power requirement is $+220\text{V}/400\text{mA}$. The module is with 1.85mm Female

The compact bench-top amplifier can be used at general Labs Test. The power supply is from 110-240V, an AC to 12V DC adapter included.

More information, please visit www.atmicrowave.com

Advantages

- ✓ Frequency: 10MHz-67GHz
- ✓ $P_{sat}:+15\text{dBm}$
- ✓ Small signal gain: 18dB
- ✓ Bench-Top Labs Test

Application

- ✓ 5G Communication
- ✓ Test Equipment
- ✓ ROF (RF Over Fiber)
- ✓ Radar System

Key Features

Parameter	Min	Typical	Max
Frequency		10MHz-67GHz	
Gain		18dB	
P1dB		10MHz-50GHz: +14dBm 50GHz-67GHz: +12dBm	
Psat		10MHz-50GHz: +15dBm 50GHz-67GHz: +13dBm	
Supply (AC Adapter Included)		+220V	
Current		400 mA	
NF		6dB	
Input Return Loss		-5dB	
Output Return Loss		-5dB	
Spec Temp		25C	





AT-BTBB-0067-1815C

10MHz-67GHz Broadband Amplifier

Mechanical Information

Item	Description
Input Port	1.85mm Female
Output Port	1.85mm Female
DC Bias	2.5mm DC Jack
Case Material	Aluminum
Finish	Painting
Weight (Without Heatsink)	300g
Size:	80X100X35 mm

Absolute Maximum Ratings Table

Parameter	Value
Drain Supply	+240V
RF Input Power	0 dBm
Operating Temperature	0 to +50C
Storage Temperature	-65 to +150C

Caution:

Please pay attention to the case temperature. If case temperature exceed higher than +50C, heat sink and fan are required, or the amplifier may be damaged.

Notes:

1. Datasheet may be changed according to update of MMIC, Raw materials , process, and so on.
2. This data is only for reference, not for guaranteed specifications.
3. Please contact AT Microwave team to make sure you have the most current data.



Dimension: (unit in mm)

