

X4 Full E Band Active Multiplier, Bench-Top

Product Overview



AT-BTAM4-6090-18 is a E band, active x4 frequency multiplier. The multiplier has an input frequency of 15 to 22.5 GHz with a typical output +18dBm from 60-90GHz.

The integrated input and output buffers deliver high output power at a low drive level. The multiplier also has a typical harmonic suppression of -20dBc. The input port is SMA female, and the output is a WR-12 waveguide with a standard UG-387 flange. Other port configurations are available under different requirement.

More information, please visit www.atmicrowave.com

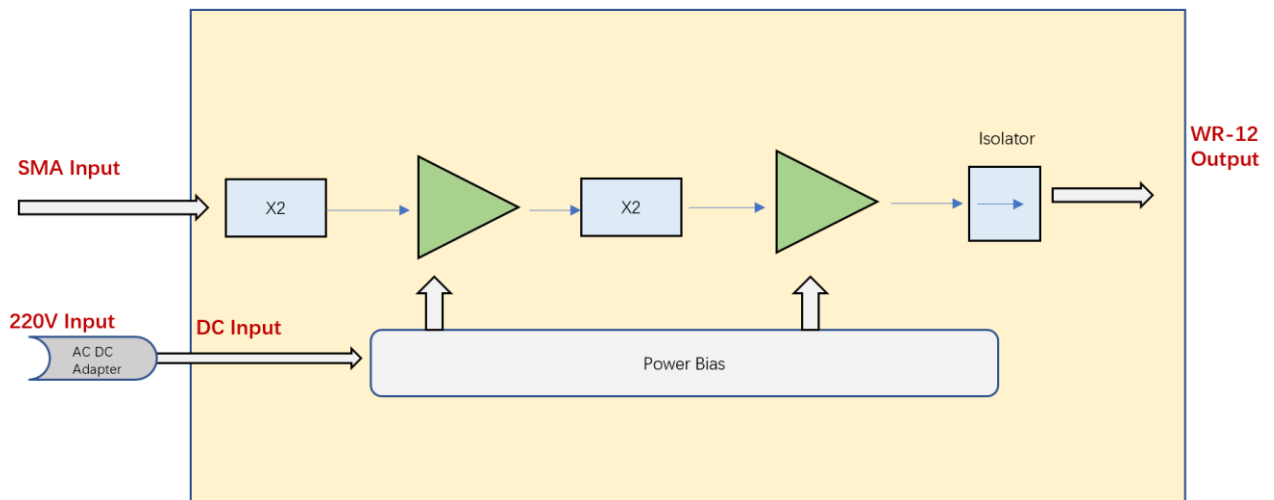
Advantages

- ✓ Frequency: 60-90GHz
- ✓ Pout: +18dBm typical
- ✓ Input: 15-22.5GHz, +10dBm
- ✓ Bench-Top Labs Test

Application

- ✓ E band Communication
- ✓ FOD (Foreigner Objects Debris)
- ✓ Test Equipment
- ✓ ROF (RF Over Fiber)

Block Diagram





AT-BTAM4-6090-18

Bench-Top Active Multiplier x4

Key Features

Parameter	Min	Typical	Max
Input Frequency	15GHz		22.5GHz
Input Power	+8	+10dBm	+13dBm
Multiplier Factor		X4	
Output Frequency	60GHz		90GHz
Output Power	+15dBm	+18dBm	
Harmonica Suppression		-20dBc	
Power Supply	90V	220V	240V
Power Consumption		20W	
Spec Temp		25C	

Mechanical Information:

Parameter	Value
RF Input	SMA Female
RF Output	WR-12 Waveguide with Flange
Bias	+220V, AC to DC Power Converter included
DC Bias Switch	ON-OFF switch with light indicator
Dimension	207x147x74.5mm

Absolute Maximum Ratings Table

Parameter	Value
AC Supply	+260V
RF Input Power	+20dBm
Operating Temperature	0 to 50 C
Storage Temperature	-65 to +180C



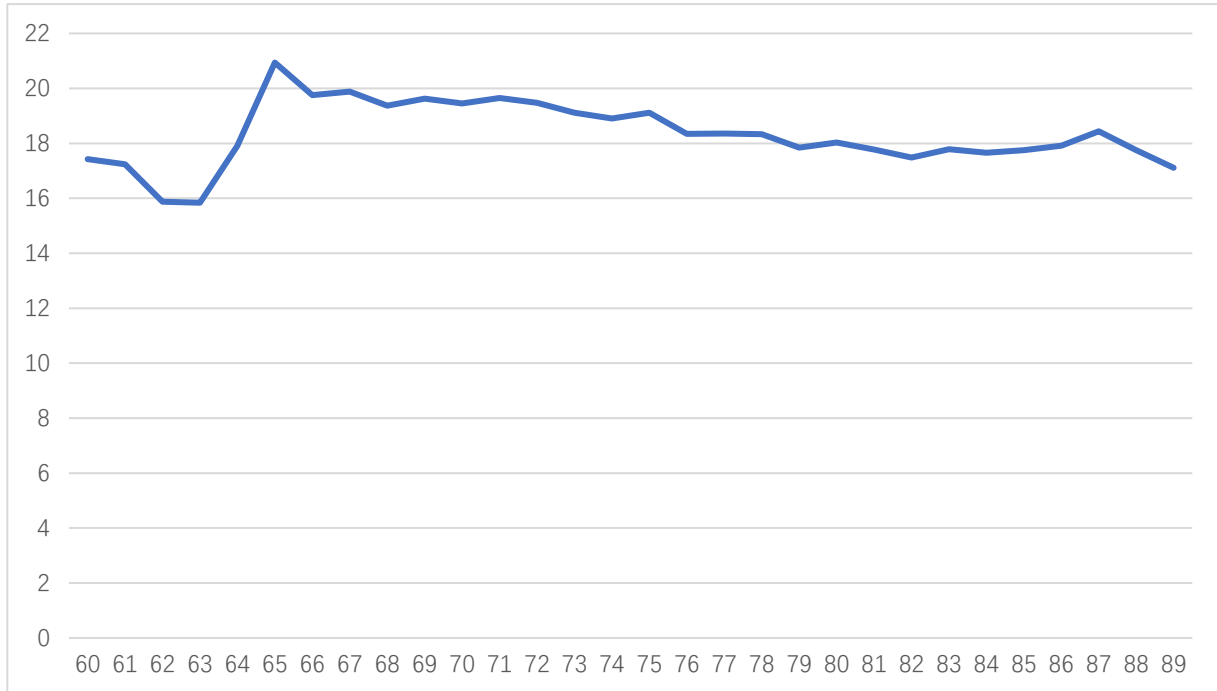


AT-BTAM4-6090-18

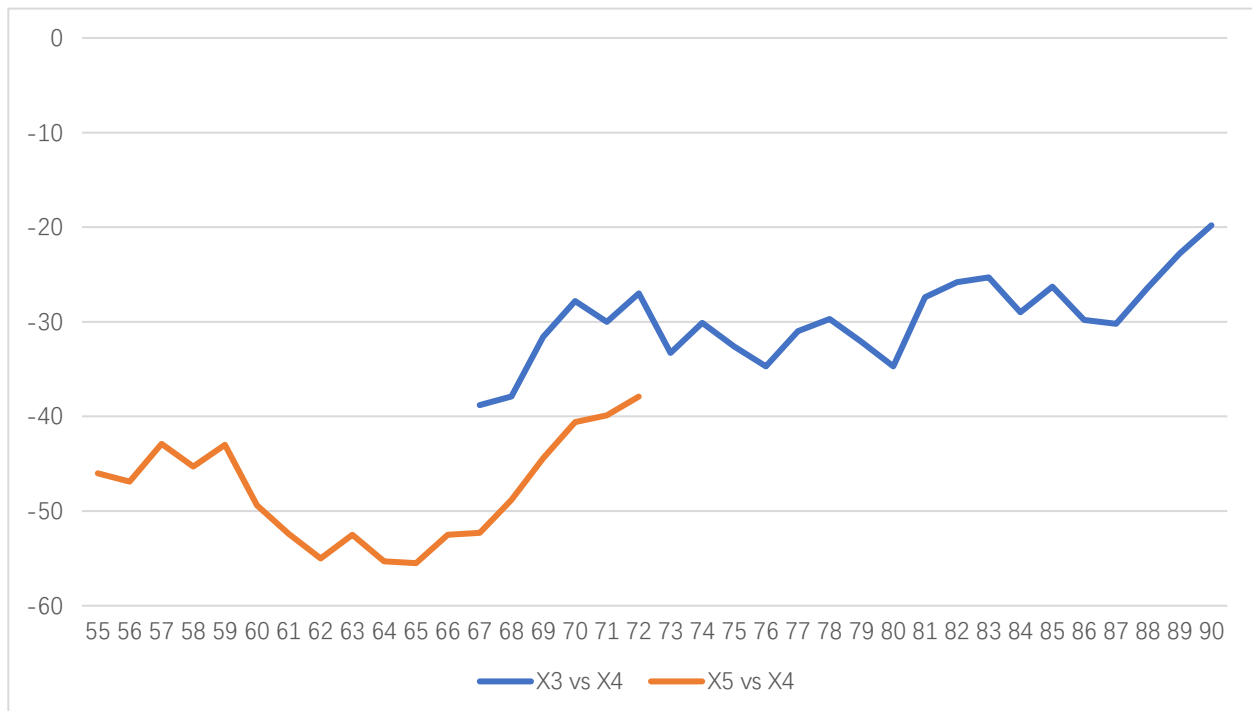
Bench-Top Active Multiplier x4

Test Data (25C)

Please note that test curves will vary slightly from unit to unit.



Pout vs Frequency



X3/X5 Harmonics suppression vs X4 Pout





AT-BTAM4-6090-18

Bench-Top Active Multiplier x4

Dimension (mm)

