

X4 Full V Band Active Multiplier, Bench-Top Test Equipment, WR-15



Product Overview

AT-BTAM4-4575-15 is a V band, active x4 frequency multiplier. The multiplier has an input frequency of 12.5-18.75 GHz with a typical output +15dBm from 45-75GHz.

The integrated input and output buffers deliver high output power at a low drive level. The multiplier also has a typical harmonic suppression of -20dBc. The input port is SMA female, and the output is a WR-15 waveguide with a standard UG-387 flange. Other port configurations are available under different requirement.

More information, please visit www.atmicrowave.com

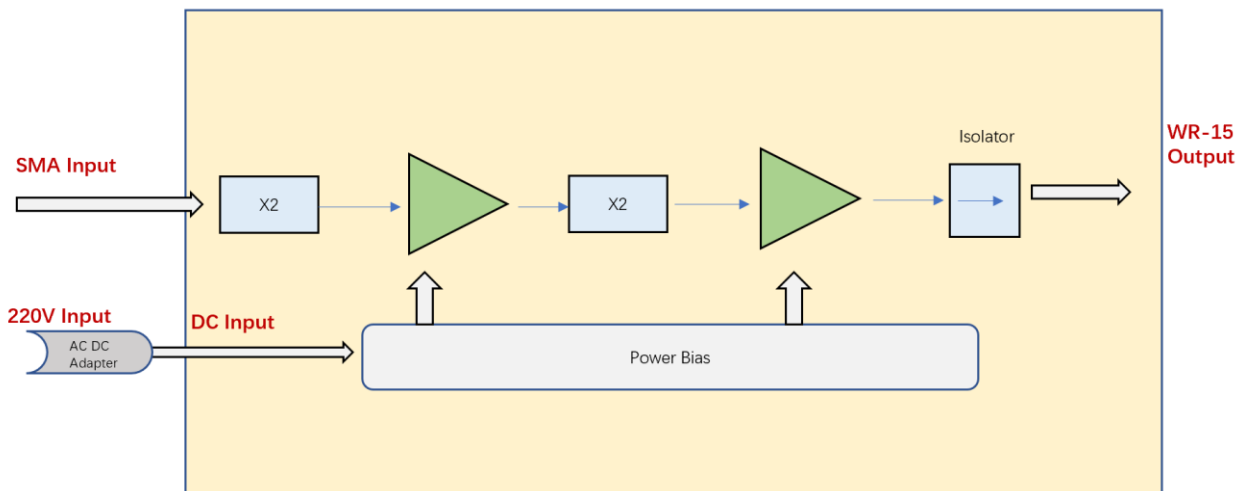
Advantages

- ✓ Frequency: 45-75GHz
- ✓ Pout: +15dBm typical
- ✓ Input: 11.25-18.75GHz, +5dBm
- ✓ Bench-Top Labs Test

Application

- ✓ V band Communication
- ✓ FOD (Foreigner Objects Debris)
- ✓ Test Equipment
- ✓ ROF (RF Over Fiber)

Block Diagram





AT-BTAM4-4575-15

Bench-Top Active Multiplier x4

Key Features

Parameter	Min	Typical	Max
Input Frequency	11.25GHz		18.75GHz
Input Power		+10dBm	+15dBm
Multiplier Factor		X4	
Output Frequency	45GHz		75GHz
Output Power	+13dBm	+15dBm	
Harmonica Suppression		-20dBc	
Power Supply	90V	220V	240V
Power Consumption		20W	
Spec Temp		25C	

Mechanical Information:

Parameter	Value
RF Input	SMA Female
RF Output	WR-15 Waveguide with Flange
DC Bias	+12V Supply, AC to DC Power Converter included
DC Bias Switch	ON-OFF switch with light indicator
Dimension	204x147x74.5mm

Absolute Maximum Ratings Table

Parameter	Value
AC Supply	+240V
IF Input Power	+20dBm
Operating Temperature	0 to 45 C
Storage Temperature	-65 to +145C





AT-BTAM4-4575-15

Bench-Top Active Multiplier x4

Dimension: (mm)

