



AT-BTAM4-3350-20

Active Multiplier x4, 33-50GHz Pout=+20dBm

Full Q Band Active Multiplier Bench-top Test Equipment, WR-22

2023-5-5



Description:

AT-BTAM4-3350-20 is a full Q band, active x4 frequency multiplier. The multiplier has an input frequency of 8.25-12.5 GHz with a typical output +20dBm from 33-50GHz.

The integrated input and output buffers deliver high output power at a low drive level. The multiplier also has a typical harmonic suppression of -30dBc. The input port is SMA female, and the output is a WR-22 waveguide. Please note that there is no isolator at output Port in default. Isolator can be added by -ISO option.

More information, please visit www.atmicrowave.com

Feature

- ✓ Frequency: 33-50GHz
- ✓ Pout: +20dBm typical
- ✓ Input: 8.25-12.5GHz
- ✓ Low Harmonics

Application

- ✓ Q band Communication
- ✓ Test Equipment
- ✓ ROF (RF Over Fiber)
- ✓ Radar System

Electronical Specifications:

Parameter	Min	Typical	Max
Input Frequency		8.25-12.5GHz	
Input Power	+0dBm	+3dBm	+6dBm
Multiplier Factor		X4	
Output Frequency		33-50GHz	
Output Power	+18	+20dBm	
X3/X5 Harmonic Suppression		-30dBc	
Power Supply	90V	220V	240V
Power Consumption		10W	
Spec Temp		25C	



Shanghai AT Microwave Limited

Tel:021-6229 1233 sales@atmicrowave.com

www.atmicrowave.com





AT-BTAM4-3350-20

Active Multiplier x4, 33-50GHz Pout=+20dBm

Mechanical Information:

Parameter	Value
IF Input Port	SMA Female
RF Output Port	WR-22
Power Supply	90V to 240V, AC to DC Power Converter included
DC Bias Switch	ON-OFF switch with light indicator
Weight	2.5KG
Dimension	See outline

Absolute Maximum Ratings Table

Parameter	Value
Drain Supply	+90 to 260V
IF Input Power	+15dBm
Operating Temperature	0 to +50C
Storage Temperature	-45 to +85C

Notes:

1. Datasheet may be changed according to update of MMIC, Raw materials , process, and so on.
2. This data is only for reference, not for guaranteed specifications.
3. Please contact AT Microwave team to make sure you have the most current data.



Shanghai AT Microwave Limited
Tel:021-6229 1233 sales@atmicrowave.com
www.atmicrowave.com



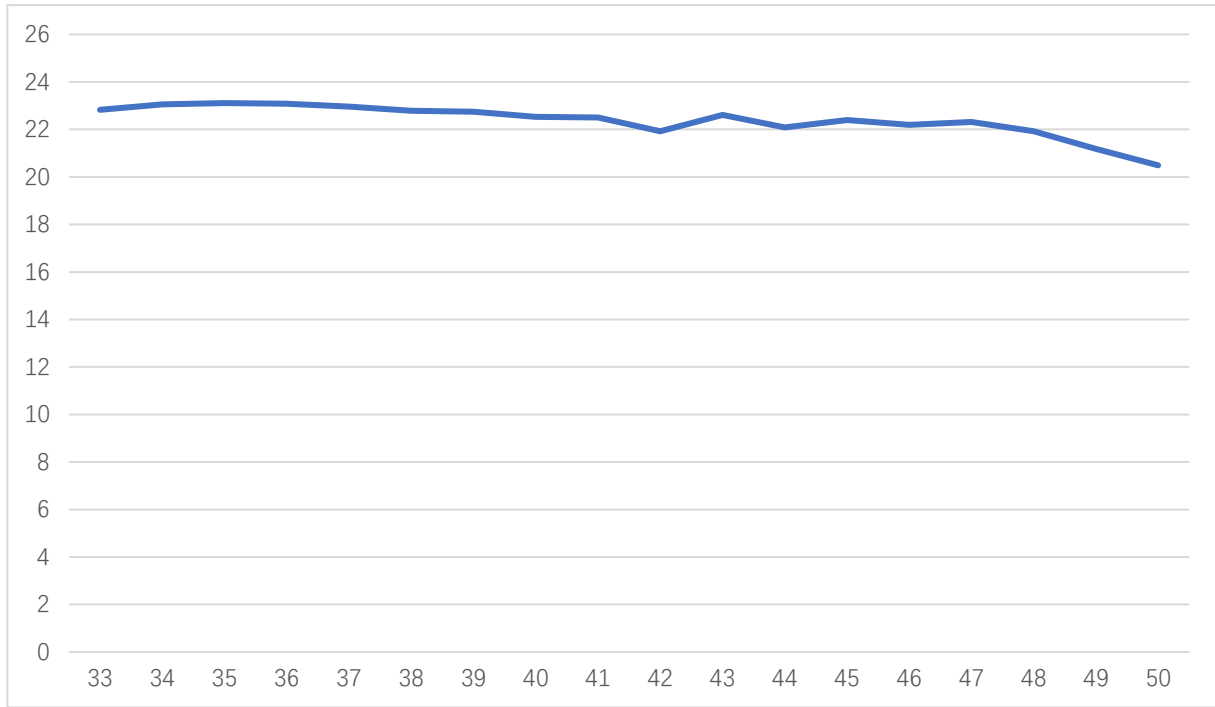


AT-BTAM4-3350-20

Active Multiplier x4, 33-50GHz Pout=+20dBm

Test Data (25C)

Please note that test curves will vary slightly from unit to unit.



Pout vs Frequency



Shanghai AT Microwave Limited
Tel:021-6229 1233 sales@atmicrowave.com
www.atmicrowave.com



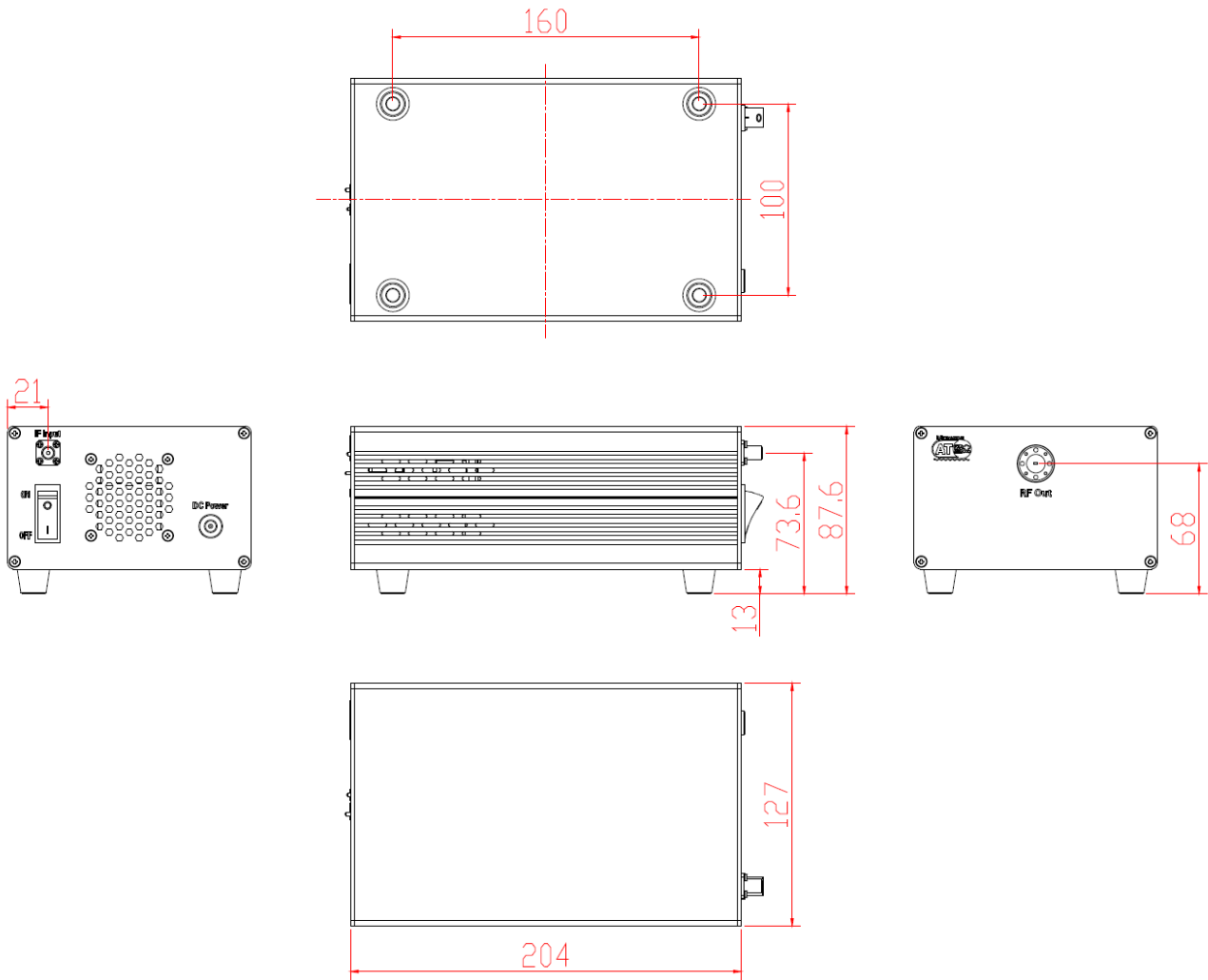


AT-BTAM4-3350-20

Active Multiplier x4, 33-50GHz Pout=+20dBm

Dimension(mm)

The bottom of the bench-top product is with four support foot pads in default.
Mounting bracket option is available according to request.



Shanghai AT Microwave Limited
Tel:021-6229 1233 sales@atmicrowave.com
www.atmicrowave.com

