

G Band (170-220GHz) Active Multiplier



Product Overview

AT-BTAM12-170220 is full G band, active x12 frequency multiplier. The multiplier has an input frequency of 14.17 to 18.33GHz with a typical output -3dBm from 170-220GHz. G Band isolator is an optional choice to improve power protection and power stability

The integrated input and output buffers deliver high output power at a low drive level. The multiplier also has a typical harmonic suppression. The input port is SMA female, and the output is a WR-05 waveguide with a standard UG-387 flange.

More information, please visit www.atmicrowave.com

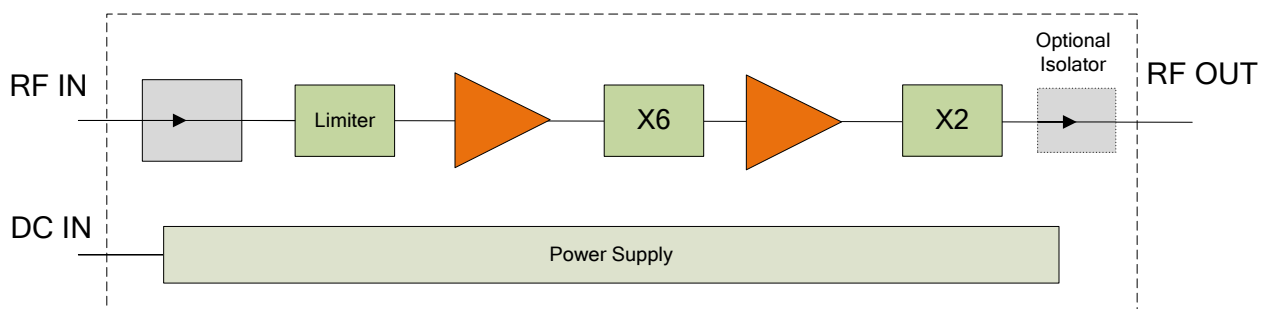
Advantages

- ✓ Frequency: 170-220GHz
- ✓ Pout: -3dBm typical
- ✓ Input: 14.17-18.33GHz, +5dBm
- ✓ Bench-Top for Test

Application

- ✓ Test Equipment
- ✓ ROF (RF Over Fiber)
- ✓ Radar System
- ✓ RCS Test

Diagram Block:





AT-BTAM12-170220

Bench-Top G Band X12 Frequency Extender

Key Features

Parameter	Min	Typical	Max
Input Frequency	14.17GHz		18.33GHz
Input Power	0	+5dBm	+10
Multiplier Factor		12	
Output Frequency	170GHz		220GHz
Output Power		-3 dBm	
Input Return Loss		-18dB	
Output Return Loss		-15dB	
Drain Voltage		+12V/800mA	
Input Port		SMA Female	
Output Port		WR-05	

Mechanical Information:

Parameter	Value
DC Bias	2.5mm DC Jack with +12V Supply AC to DC Power Converter included
DC Bias Switch	ON-OFF switch with light indicator
Operating Temperature	0 to 50C
Storage Temperature	-65 to +150C

Notes:

1. Datasheet may be changed according to update of MMIC, Raw materials , process, and so on.
2. This data is only for reference, not for guaranteed specifications.
3. Please contact AT Microwave team to make sure you have the most current data.



Dimension:

The dimension maybe changed without notice.

