

AT-BPF-9098-10: 90-98GHz Band-Pass Filter, WR-10



Product Overview

AT Microwave offers high performance band waveguide band-pass filter from 26.5-230GHz. Other frequency bands and rejection requirement can provide according to request.

Based on our excellent design work, precise machine tolerance and outstanding quality plating, we can provide band pass filter with low insertion loss, good return loss and high rejection at the same time.

More information, please visit www.atmicrowave.com

Advantages

- ✓ Low Insertion Loss
- ✓ Good Return Loss
- ✓ High Stop Band Suppression
- ✓ Sharp Roll-Off

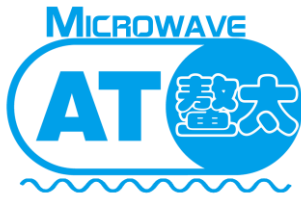
Application

- ✓ W band Imaging
- ✓ FOD (Foreigner Objects Debris)
- ✓ Test Equipment
- ✓ ROF (RF Over Fiber)
- ✓ Radar System

Key Features

Parameter	Min	Typical	Max
Passband Frequency		90-98GHz	
Insertion Loss		-1.0 dB	-2
Passband Return Loss		-15 dB	
Low Rejection Frequency		70-86GHz	
Low Band Rejection		-40 dBc	
High Rejection Frequency		102-120GHz	
Low Band Rejection		-40 dBc	
Spec Temp		25C	





AT-BPF-9098-10

W Band Waveguide Band-Pass Filter, WR-10

Mechanical Information

Item	Description
Input Port	WR-10, UG-387/U-M Flange with anti-cocking Flange
Output Port	WR-10, UG-387/U-M Flange with anti-cocking Flange
Case Material	Brass
Finish	Gold Plated
Weight	22g
Size:	See outline

Absolute Maximum Ratings Table

Parameter	Value
Operating Temperature	-40 to +85C
Storage Temperature	-65 to +150C

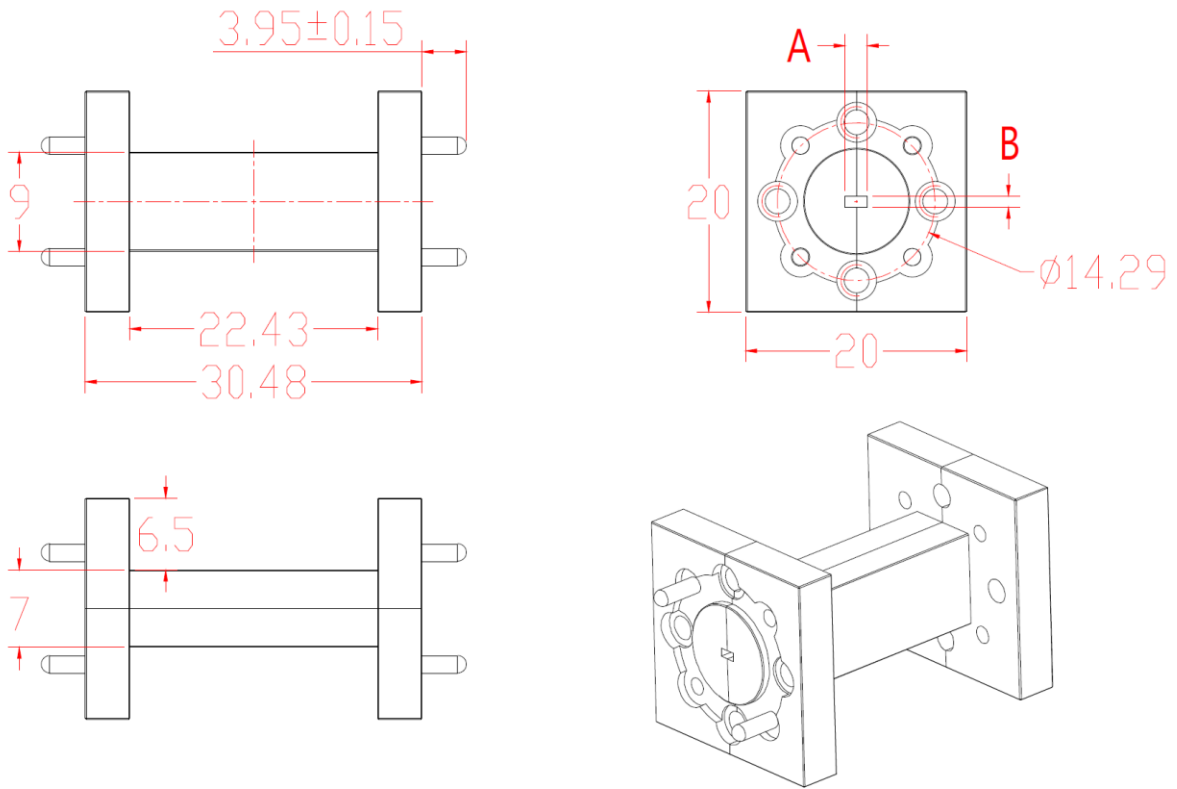
Test Result

Performance may vary slight from unit to unit.

TO BE ADDED



Dimension: (mm)



Waveguide	A x B (inch)	A x B (mm)
WR-15	0.148x0.074	37.59x18.80
WR-12	0.122x0.061	30.99x15.49
WR-10	0.100x0.050	25.40x12.70
WR-08	0.080x0.040	20.32x10.16
WR-06	0.065x0.032	16.51x8.25

