

AT-BPF-6.875GHz

Feature

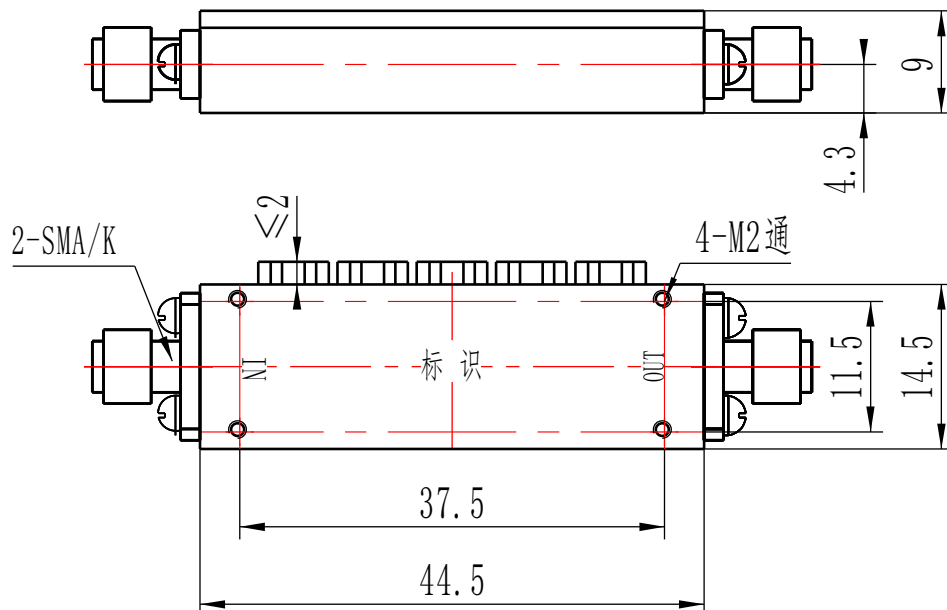
- ✓ Low Insertion Loss
- ✓ Good Return Loss
- ✓ High Stop Band Suppression
- ✓ Wide Stop Band
- ✓ Sharp Roll-Off



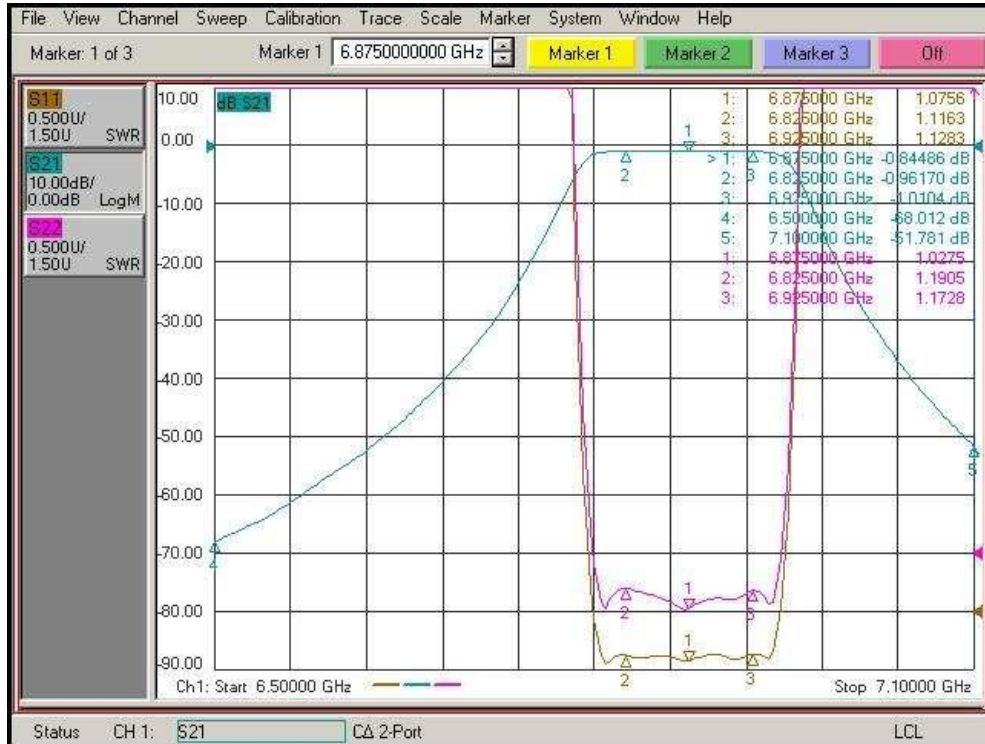
Electronical Specifications:

Parameter	Frequency	Min	Typical	Max
Center Frequency			6.875 GHz	
Passband	100MHz	6.825GHz		6.925GHz
Insertion Loss/dB			-1.8dB	
Passband Return Loss			1.5	
Lower Suppression	6.5GHz		-40dBc	
Higher Suppression	7.1 GHz		-40dBc	
Impedance			50 Ohms	
RF Power/W			1W	

Dimension:



Test Data:



S21 and Return Loss

