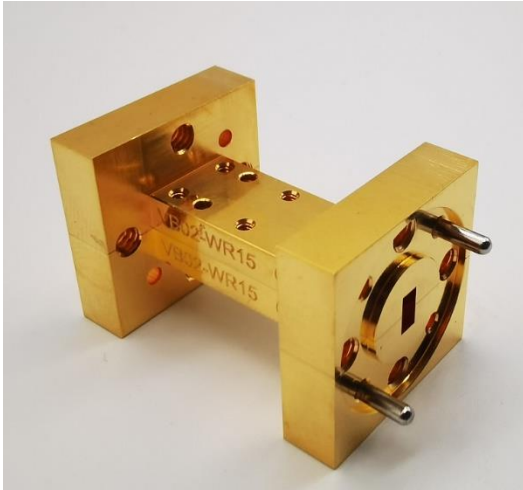


### AT-BPF-5056-15: 50-56GHz Band-Pass Filter, WR-15



#### Product Overview

AT Microwave offers high performance band waveguide band-pass filter from 26.5-170GHz. Other frequency bands and rejection requirement can provide according to request.

Based on our excellent design work, precise machine tolerance and outstanding quality plating, we can provide band pass filter with low insertion loss, good return loss and high rejection at the same time.

More information, please visit [www.atmicrowave.com](http://www.atmicrowave.com)

#### Advantages

- ✓ Low Insertion Loss
- ✓ Good Return Loss
- ✓ High Stop Band Suppression
- ✓ Sharp Roll-Off

#### Application

- ✓ Automotive Radar Test
- ✓ FOD (Foreigner Objects Debris)
- ✓ Test Equipment
- ✓ ROF (RF Over Fiber)
- ✓ Radar System

#### Key Features

Parameter	Min	Typical	Max
Passband Frequency		50-56GHz	
Passband Insertion Loss		-1.0 dB	-2.5dB
Passband Return Loss	-10	-15 dB	
Low End Rejection Frequency		DC-45GHz	
Low End Rejection	-40dBc	-45dBc	
High End Rejection Frequency		62-75GHz	
Low End Rejection	-40dBc	-45dBc	
Spec Temp		25C	





# AT-BPF-5056-15

V Band Waveguide Band-Pass Filter, WR-15

## Mechanical Information

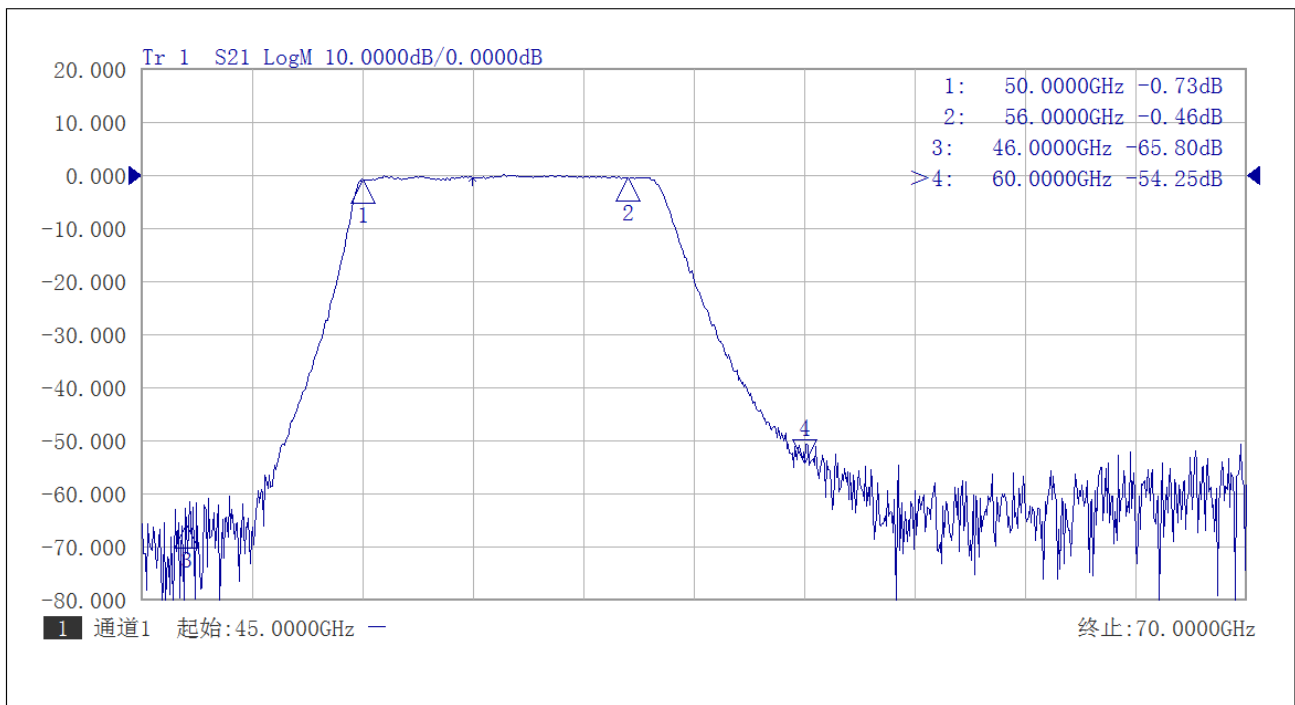
Item	Description
Input Port	WR-15, UG-385/U Flange with anti-cocking Flange
Output Port	WR-15, UG-385/U Flange with anti-cocking Flange
Case Material	Brass
Finish	Gold Plated
Weight	35g
Size:	See Dimension

## Absolute Maximum Ratings Table

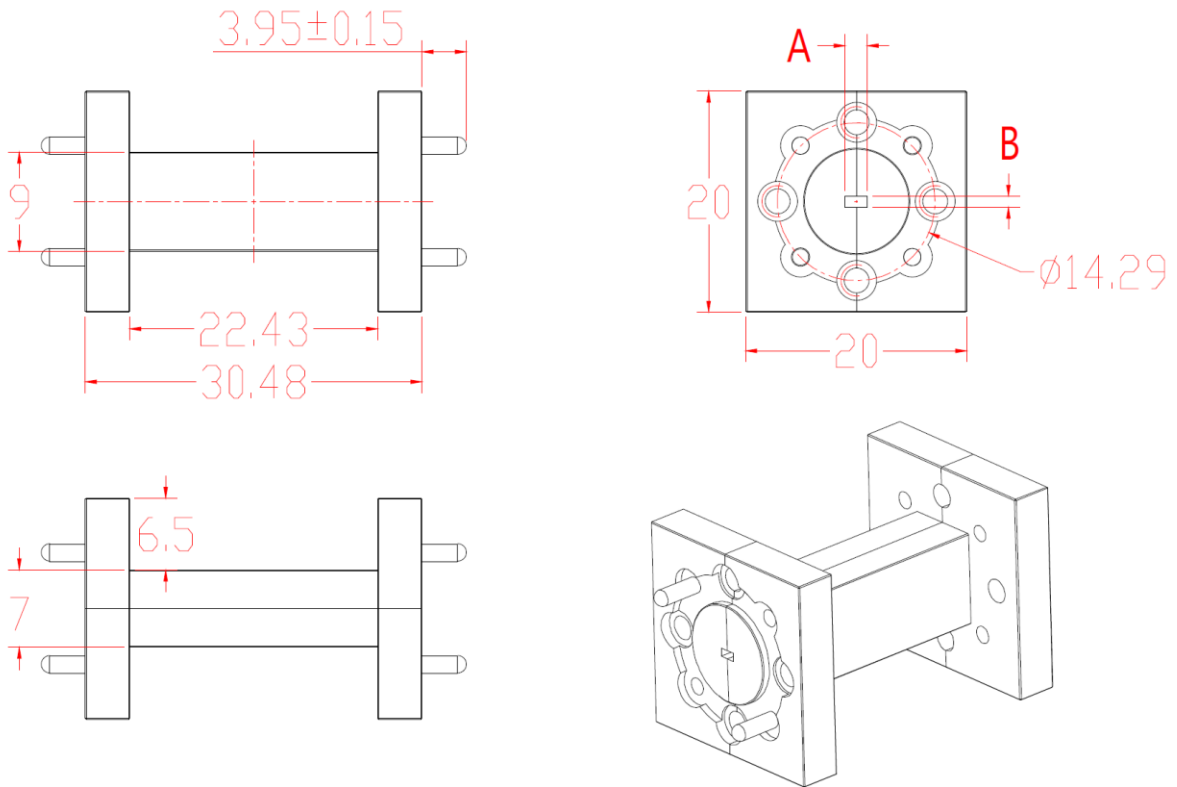
Parameter	Value
Operating Temperature	-40 to +85C
Storage Temperature	-65 to +150C

## Test Data

Note: Performance may vary from different units.



### Dimension ( mm)



Waveguide	A x B (inch)	A x B (mm)
WR-15	0.148x0.074	37.59x18.80
WR-12	0.122x0.061	30.99x15.49
WR-10	0.100x0.050	25.40x12.70
WR-08	0.080x0.040	20.32x10.16
WR-06	0.065x0.032	16.51x8.25

