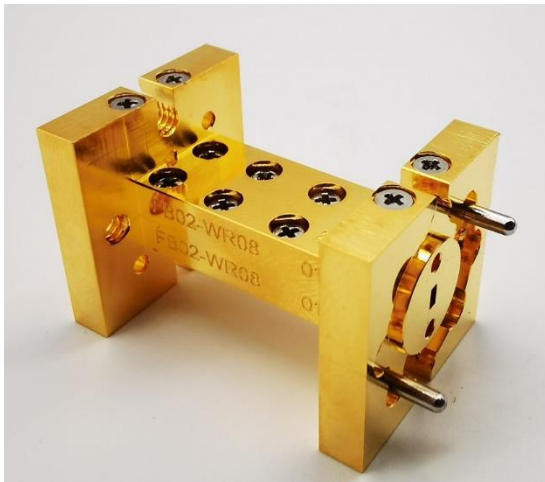


AT-BPF-100112-08: 100-112GHz Band-Pass Filter, WR-08



Product Overview

AT Microwave offers high performance band waveguide band-pass filter from 26.5-230GHz. Other frequency bands and rejection requirement can provide according to request.

Based on our excellent design work, precise machine tolerance and outstanding quality plating, we can provide band pass filter with low insertion loss, good return loss and high rejection at the same time.

More information, please visit www.atmicrowave.com

Advantages

- ✓ Low Insertion Loss
- ✓ Good Return Loss
- ✓ High Stop Band Suppression
- ✓ Sharp Roll-Off

Application

- ✓ F Band Communication
- ✓ FOD (Foreigner Objects Debris)
- ✓ Test Equipment
- ✓ ROF (RF Over Fiber)
- ✓ Radar System

Key Features

Parameter	Min	Typical	Max
Center Frequency		100-112GHz	
Insertion Loss		-1.0 dB	-2.5
Passband Return Loss		-12 dB	
Low Rejection Frequency		DC-92GHz	
Low Band Rejection	-40	-45 dB	
High Rejection Frequency		122-140GHz	
High Band Rejection	-40	-45 dB	
Spec Temp		25C	



Mechanical Information

Item	Description
Input Port	WR-08, UG-387/U-M Flange with anti-cocking Flange
Output Port	WR-08, UG-387/U-M Flange with anti-cocking Flange
Case Material	Brass
Finish	Gold Plated
Weight	22g
Size:	See outline

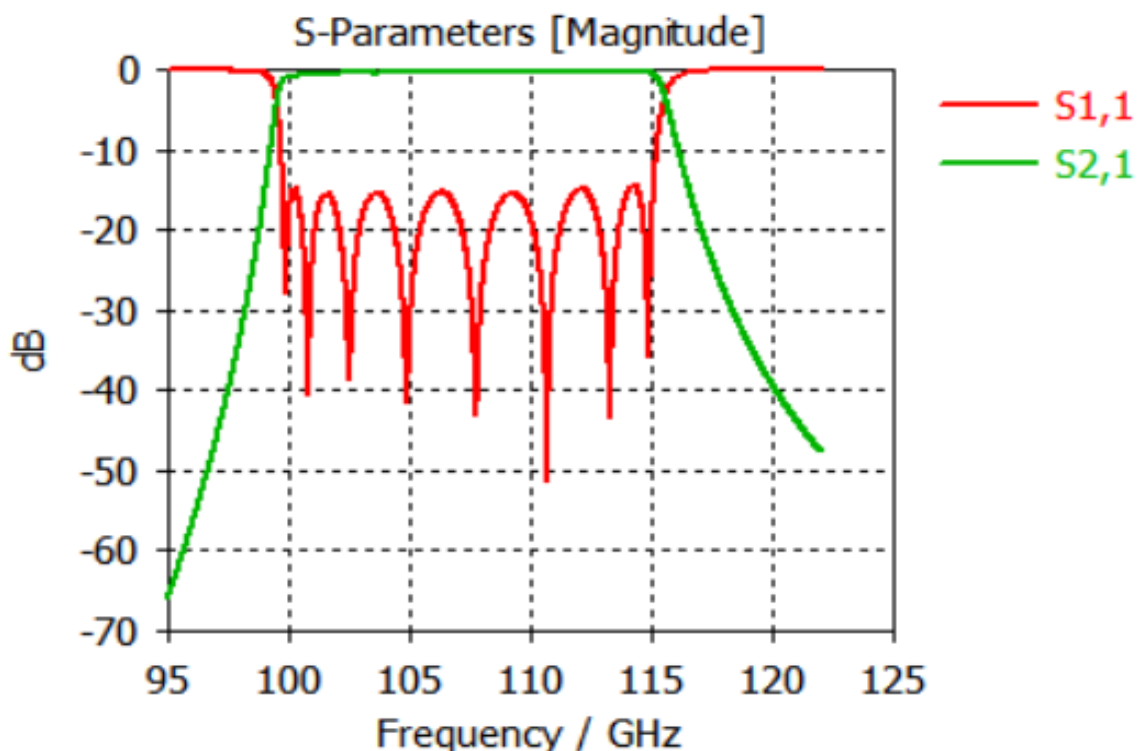
Absolute Maximum Ratings Table

Parameter	Value
Operating Temperature	-40 to +85C
Storage Temperature	-65 to +150C

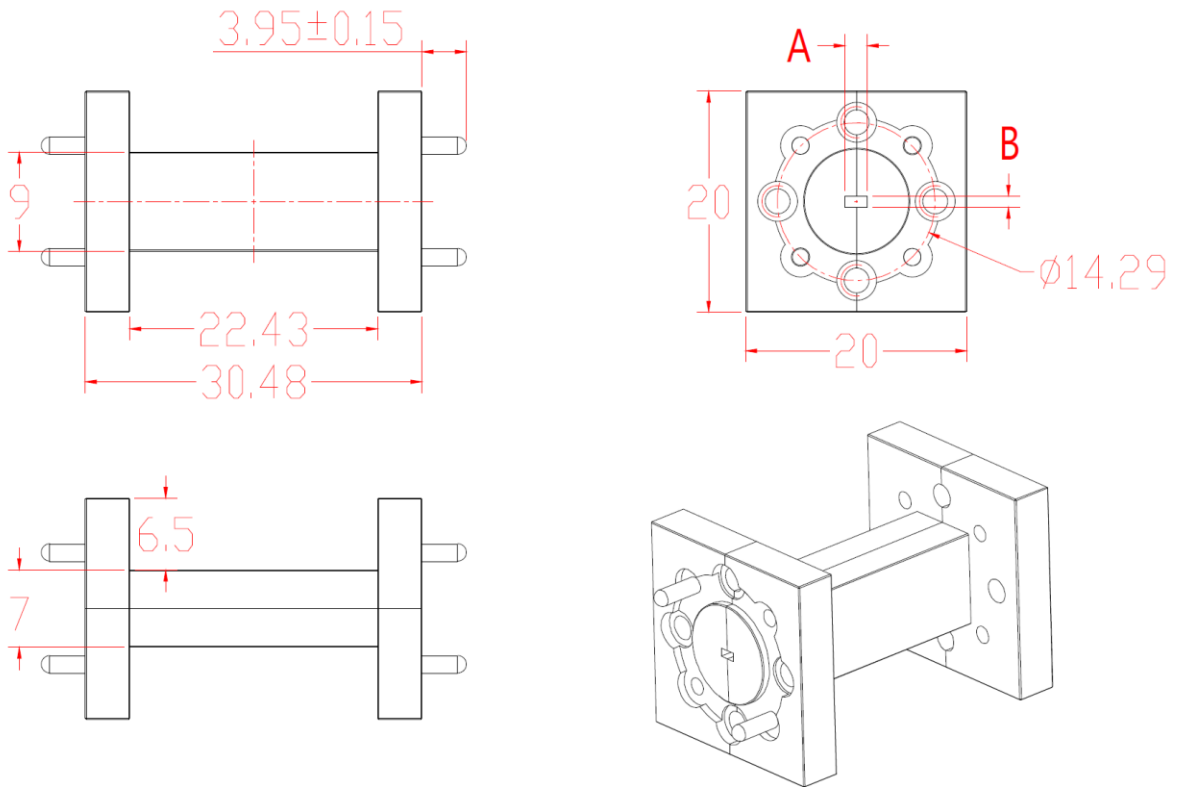
Test Data

Note: Performance may vary from different units.

To be added.



Dimension(mm)



Waveguide	A x B (inch)	A x B (mm)
WR-15	0.148x0.074	37.59x18.80
WR-12	0.122x0.061	30.99x15.49
WR-10	0.100x0.050	25.40x12.70
WR-08	0.080x0.040	20.32x10.16
WR-06	0.065x0.032	16.51x8.25

