

3GHz-67GHz Broadband Amplifier

High Gain=50dB, 1.85mm



Product Overview

AT-BB-0367-5015C is broadband amplifier from 3GHz-67GHz, with $P_{out}=+15dBm$, $NF=6dB$. It can be used both as Power amplifier or low noise amplifier. The DC power requirement is $+8V/450mA$. The module is with 1.85mm Female

The broadband amplifier has high gain, high linearity, low input/output return loss and flat gain response.

More information, please visit www.atmicrowave.com

Advantages

- ✓ Frequency: 3GHz-67GHz
- ✓ P_{sat} : +15dBm
- ✓ Small signal gain: 50dB
- ✓ Single Power Supply

Application

- ✓ 5G Communication
- ✓ Test Equipment
- ✓ ROF (RF Over Fiber)
- ✓ Radar System

Key Features

Parameter	Min	Typical	Max
Frequency		3GHz-67GHz	
Gain	45dB	50dB	
P1dB		3-50GHz: +15dBm 50GHz-67GHz: +13dBm	
Psat		3-50GHz: +18dBm 50GHz-67GHz: +14dBm	
Drain Supply		+8V	+12V
Current		450 mA	
NF(3-50GHz)		6dB	8dB
Input Return Loss		-8dB	
Output Return Loss		-8dB	
Spec Temp		25C	





AT-BB-0367-5015C

3GHz-67GHz Broadband Amplifier

Mechanical Information

Item	Description
Input Port	1.85mm Female
Output Port	1.85mm Female
Case Material	Copper
Finish	Gold Plated
Package Sealing	Epoxy Sealed
Weight	150g
Size:	See outline

Absolute Maximum Ratings Table

Parameter	Value
Drain Supply	+13V
RF Input Power	+5 dBm
Operating Temperature	-40 to +85C
Storage Temperature	-55 to +125C

Notes:

1. Datasheet may be changed according to update of MMIC, Raw materials , process, and so on.
2. This data is only for reference, not for guaranteed specifications.
3. Please contact AT Microwave team to make sure you have the most current data.

Part Number Selection Guide

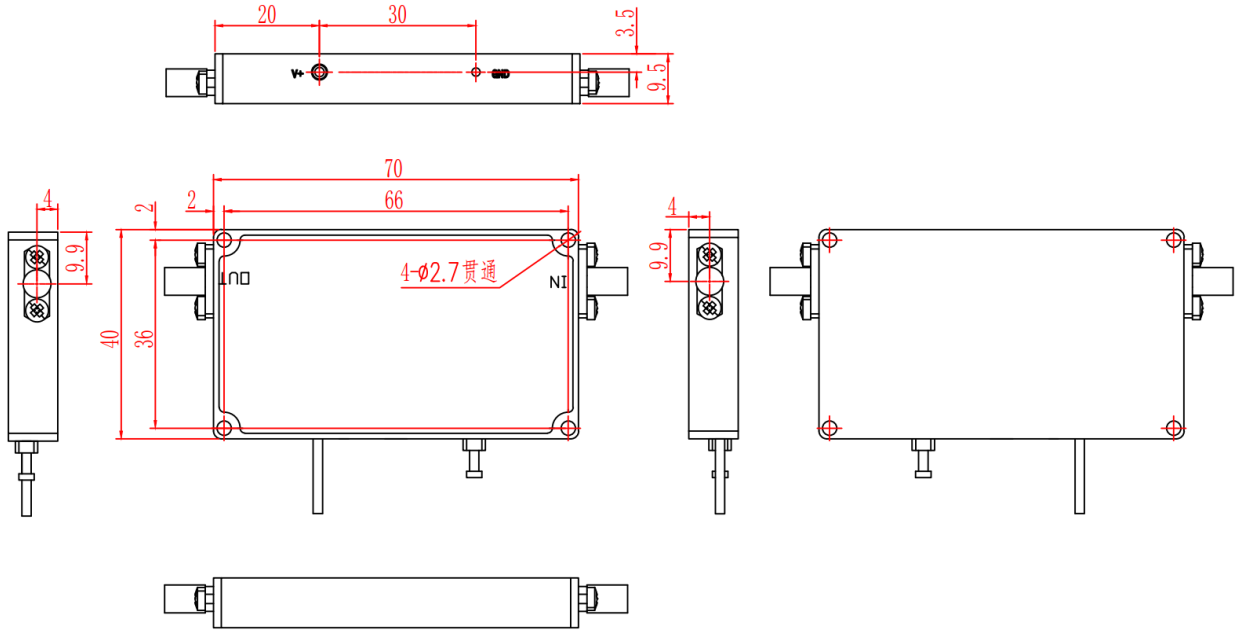
Item	Description
PN	Stand Module with DC Power Supply
PN- LCBT	L ow Cost, C ompact B ench- T op, +220V Supply with AC/DC Adapter



Test Data (25C)

Please note that test curves will vary slightly from unit to unit.

Dimension: (unit in mm)



Heat Sink Required If Case Temp Higher than 50C

PCN

Date	Description
2022-10-1	Initial Released.
2023-1-12	Outline updated to 70x40x9.5mm

