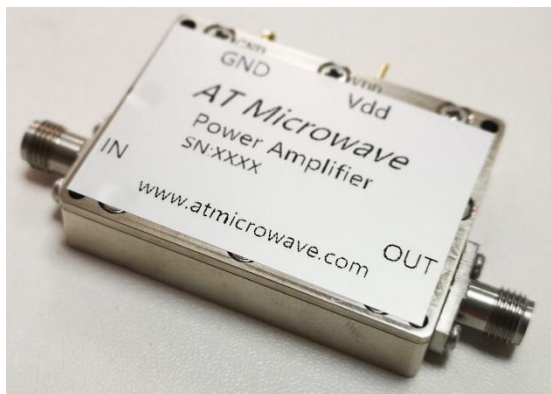


10MHz-40GHz Broadband Amplifier



Product Overview

AT-PA-0040-4020C is broadband amplifier from 10MHz-40GHz, with $P_{out}=+20\text{dBm}$, $NF=6\text{dB}$. It can be used both as Power amplifier or low noise amplifier. The DC power requirement is +8V/500mA. The module is with 2.92mm Female.

The broadband amplifier has high gain, high linearity, low input/output return loss and flat gain response.

More information, please visit www.atmicrowave.com

Advantages

- ✓ Frequency: 10MHz-40GHz
- ✓ P_{sat} : +20dBm
- ✓ Small signal gain: 40dB
- ✓ Single Power Supply

Application

- ✓ 5G Communication
- ✓ Test Equipment
- ✓ ROF (RF Over Fiber)
- ✓ Radar System

Key Features

Parameter	Min	Typical	Max
Frequency		10MHz-40GHz	
Gain		40dB	
P1dB		10MHz-30GHz: +20dBm 30GHz-40GHz: +18dBm	
Psat		10MHz-30GHz: +22dBm 30GHz-40GHz: +20dBm	
Drain Supply	+5.5V	+8V	+12V
Current		500 mA	
NF		6dB	
Input VSWR		1.5	2.2
Output VSWR		2.0	2.8
Spec Temp		25C	





AT-BB-0040-4020C

10MHz-40GHz Broadband Amplifier

Mechanical Information

Item	Description
Input Port	2.92mm Female
Output Port	2.92mm Female
Case Material	Copper
Finish	Nickel Plated
Weight (Without Heatsink)	80g
Size:	45x34x8.5 mm

Absolute Maximum Ratings Table

Parameter	Value
Drain Supply	+15V
RF Input Power	-15 dBm
Operating Temperature	-20 to +70C
Storage Temperature	-65 to +150C

Caution:

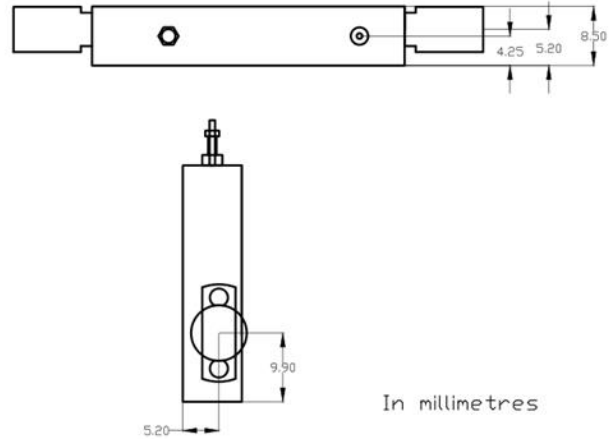
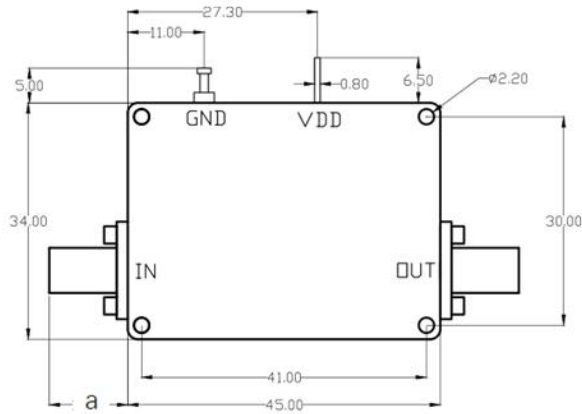
Please pay attention to the case temperature. If case temperature exceed higher than +50C, heat sink and fan are required, or the amplifier may be damaged.

Notes:

1. Datasheet may be changed according to update of MMIC, Raw materials , process, and so on.
2. This data is only for reference, not for guaranteed specifications.
3. Please contact AT Microwave team to make sure you have the most current data.



Dimension: (unit in mm)



	<26.5GHz	<40GHz	<50GHz	<67GHz
Connector	SMA	2.92mm	2.4mm	1.85mm
Lenth of a	9.4mm	9.5mm	10.8mm	11.3mm

Note: Female Default. Contact with us for other types.

Heat Sink Required During Operation

