

10MHz-30GHz Broadband Amplifier



Product Overview

AT-PA-0030-1328A is broadband amplifier from 10MHz-30GHz, with $P_{out}=+28\text{dBm}$, $NF=6\text{dB}$. It can be used both as Power amplifier and low noise amplifier. The DC power requirement is +12V/300mA. The module is with 2.92mm Female

The broadband amplifier has high gain, high linearity, low input/output return loss and flat gain response. Bench-top test equipment type with 110-240V power supply is available according to request.

More information, please visit www.atmicrowave.com

Advantages

- ✓ Frequency: 10MHz-30GHz
- ✓ P_{sat} : +28dBm
- ✓ Small signal gain: 13dB
- ✓ Single Power Supply

Application

- ✓ 5G Communication
- ✓ Test Equipment
- ✓ ROF (RF Over Fiber)
- ✓ Radar System

Key Features

Parameter	Min	Typical	Max
Frequency		10MHz-30GHz	
Gain		13dB	
P1dB		+27dBm	
Psat		+28dBm	
Drain Supply		+12V	+15V
Current		300 mA	
NF		6dB	
Input VSWR		1.5	2.5
Output VSWR		1.5	2.5
Spec Temp		25C	





AT-BB-0030-1328A

10MHz-30GHz Broadband Amplifier

Mechanical Information

Item	Description
Input Port	2.92mm Female
Output Port	2.92mm Female
Case Material	Copper
Finish	Gold Plated
Package Sealing	Epoxy Sealed
Weight (Without Heatsink)	150g
Size:	59x30x9.5 mm

Absolute Maximum Ratings Table

Parameter	Value
Drain Supply	+15V
RF Input Power	+25 dBm
Operating Temperature	-20 to +70C
Storage Temperature	-65 to +150C

Caution:

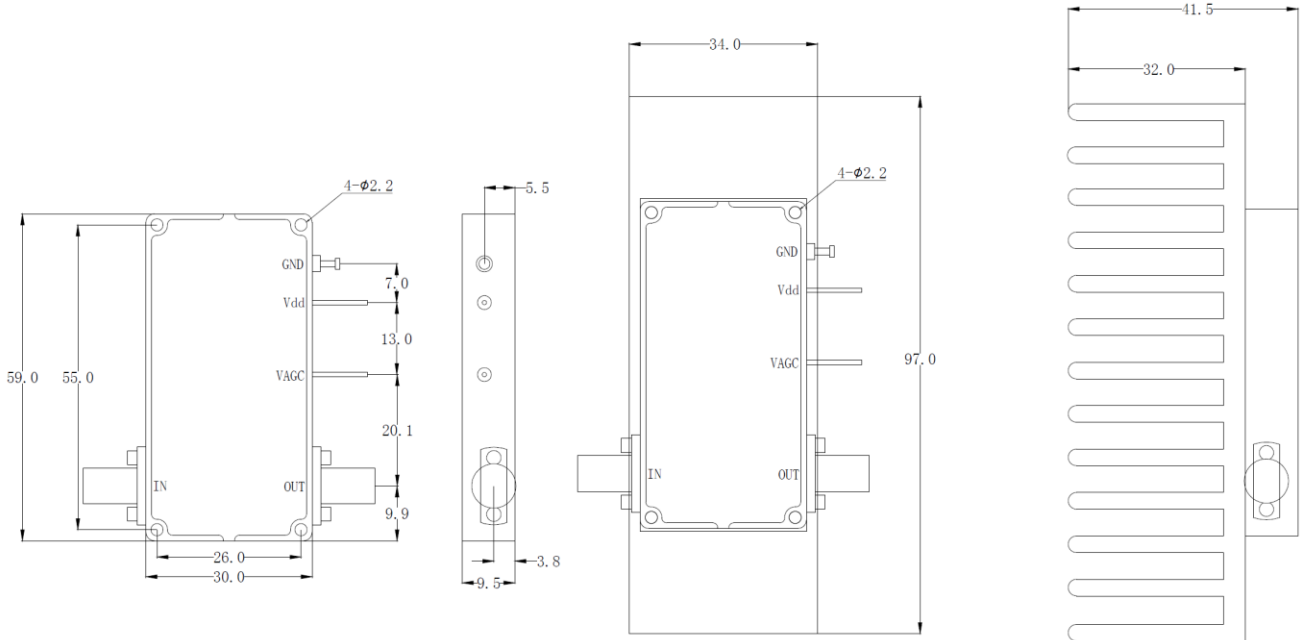
Please pay attention to the case temperature. If case temperature exceed higher than +50C, heat sink and fan are required, or the amplifier may be damaged.

Notes:

1. Datasheet may be changed according to update of MMIC, Raw materials , process, and so on.
2. This data is only for reference, not for guaranteed specifications.
3. Please contact AT Microwave team to make sure you have the most current data.



Dimension: (unit in mm)



Heat Sink Required During Operation

