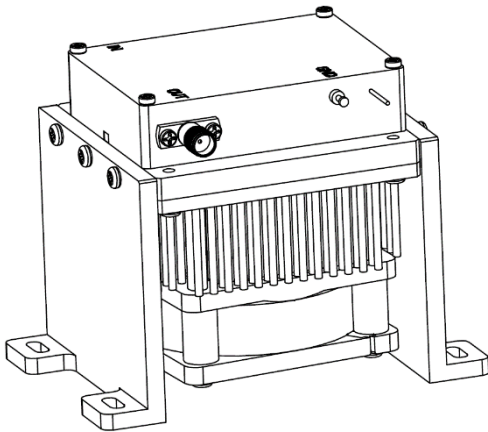


10MHz-26.5GHz Broadband Amplifier

High Gain=43dB, Psat=+27dBm



Product Overview

AT-PA-0026-4327C is broadband amplifier from 10MHz-26.5GHz, with Pout=+27dBm, NF=4dB. It can be used both as Power amplifier and low noise amplifier. The DC power requirement is +12V/650mA. The module is with SMA Female

Bench-top test equipment type with 110-240V power supply is available according to request.

More information, please visit www.atmicrowave.com

Advantages

- ✓ Frequency: 10MHz-26.5GHz
- ✓ Psat:+27dBm
- ✓ Small signal gain: 40dB
- ✓ Single Power Supply

Application

- ✓ 5G Communication
- ✓ Test Equipment
- ✓ ROF (RF Over Fiber)
- ✓ Radar System

Key Features

Parameter	Min	Typical	Max
Frequency		10MHz-26.5GHz	
Gain	40dB	43dB	
P1dB		10MHz-18GHz: +25dBm 18-26.5GHz: +22dBm	
Psat		10MHz-18GHz: +27dBm 18-26.5GHz: +24dBm	
Drain Supply	+10V	+12V	+13V
Idd NO RF		600 mA	
IDD at Psat		700 mA	0.85A
NF		4dB	
Input Return Loss		-7dB	
Output Return Loss		-7dB	
Spec Temp		25C	





AT-BB-0026-4327C

10MHz-26.5GHz Broadband Amplifier

Mechanical Information

Item	Description
Input Port	SMA Female
Output Port	SMA Female
Case Material	Copper
Finish	Gold Plated
Package Sealing	Epoxy Sealed
Weight (Without Heatsink)	230g
Size:	See outline

Absolute Maximum Ratings Table

Parameter	Value
Drain Supply	+15V
RF Input Power	+15 dBm
Operating Temperature	-40 to +85C
Storage Temperature	-55 to +125C

Caution:

Please pay attention to the case temperature. If case temperature exceeds higher than +50C, heat sink and fan are required, or the amplifier may be damaged.

Notes:

1. Datasheet may be changed according to update of MMIC, Raw materials , process, and so on.
2. This data is only for reference, not for guaranteed specifications.
3. Please contact AT Microwave team to make sure you have the most current data.





AT-BB-0026-4327C

10MHz-26.5GHz Broadband Amplifier

Part Number Selection

Item	Description
AT-BB-0026-4327C	In defaulted without heatsink and Fan. Heatsink and Fan required during operation.
AT-BB-0026-4327C -HF	Including Heatsink and Fan. Fan bias is connected with PA Module's Vdd supply
AT-BB-0026-4327C -LCBT	<u>L</u> ow Cost, <u>C</u> ompact <u>B</u> ench- <u>T</u> op, Heatsink included. + 220V Supply with AC/DC Adapter
AT-BTBB-0026-4327C	Bench-top Option 220V AC Power Supply Directly.

ABOUT -LCBT

1. What does LCBT stand for?

Low Cost, Compact Size, Bench-Top

2. What are advantages of -LCBT?

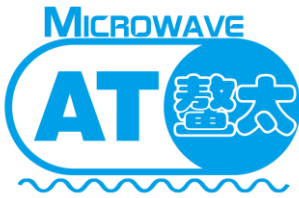
Higher Reliability.

There is a narrow power supply range for DC Bias Amplifier modules normally
It's quit a pity if the high-cost/ fragile amplifier is damaged due to the wrong power supply.

Easy to use.

-LCBT can use AC 220V(90V to 240V Range) Power supply directly, by a AC/DC apdater.



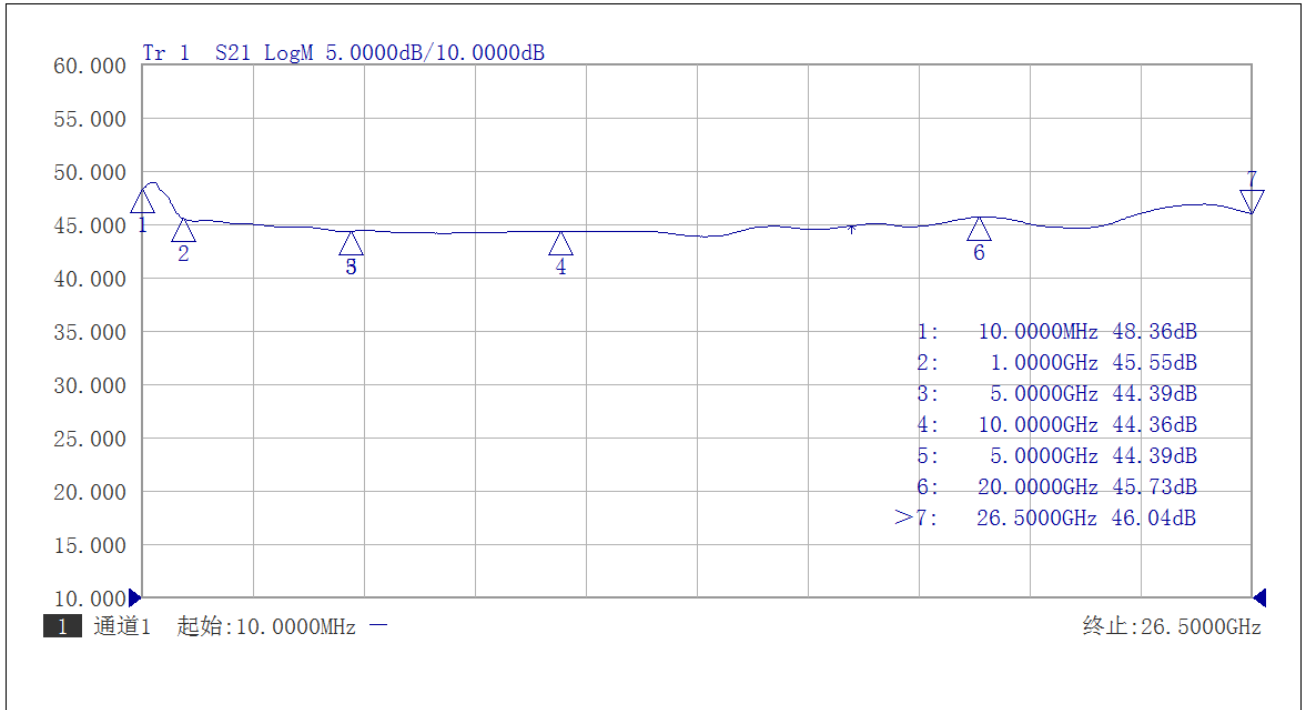


AT-BB-0026-4327C

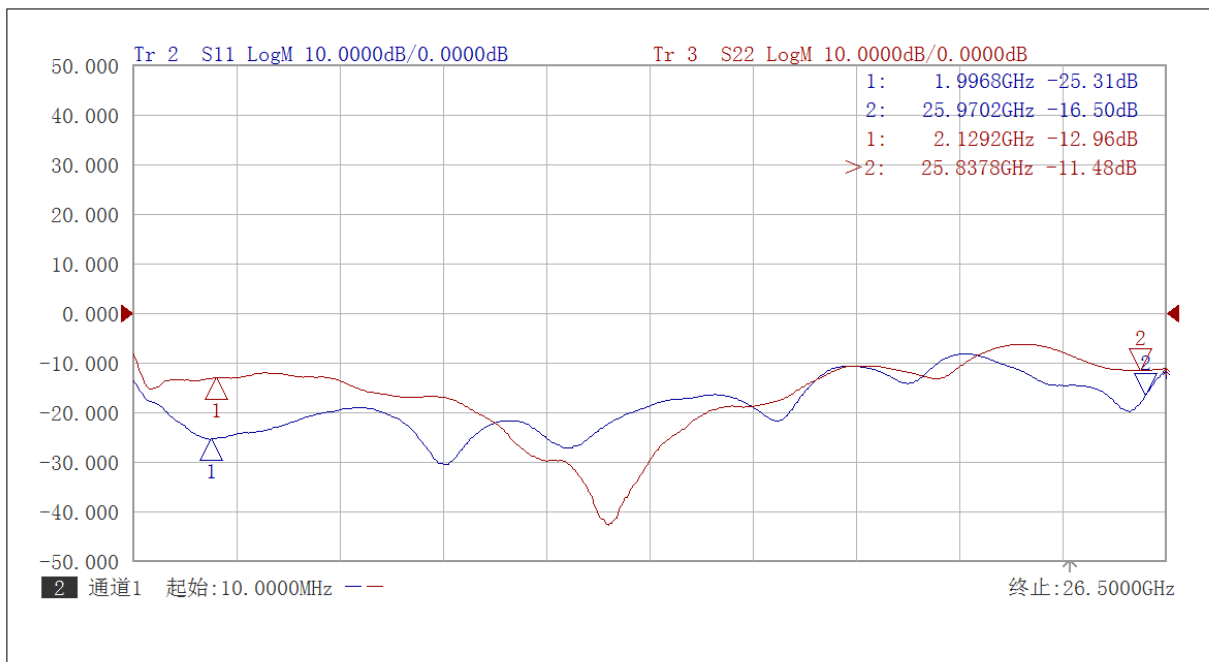
10MHz-26.5GHz Broadband Amplifier

Test Data (25C)

Please note that test curves will vary slightly from unit to unit.

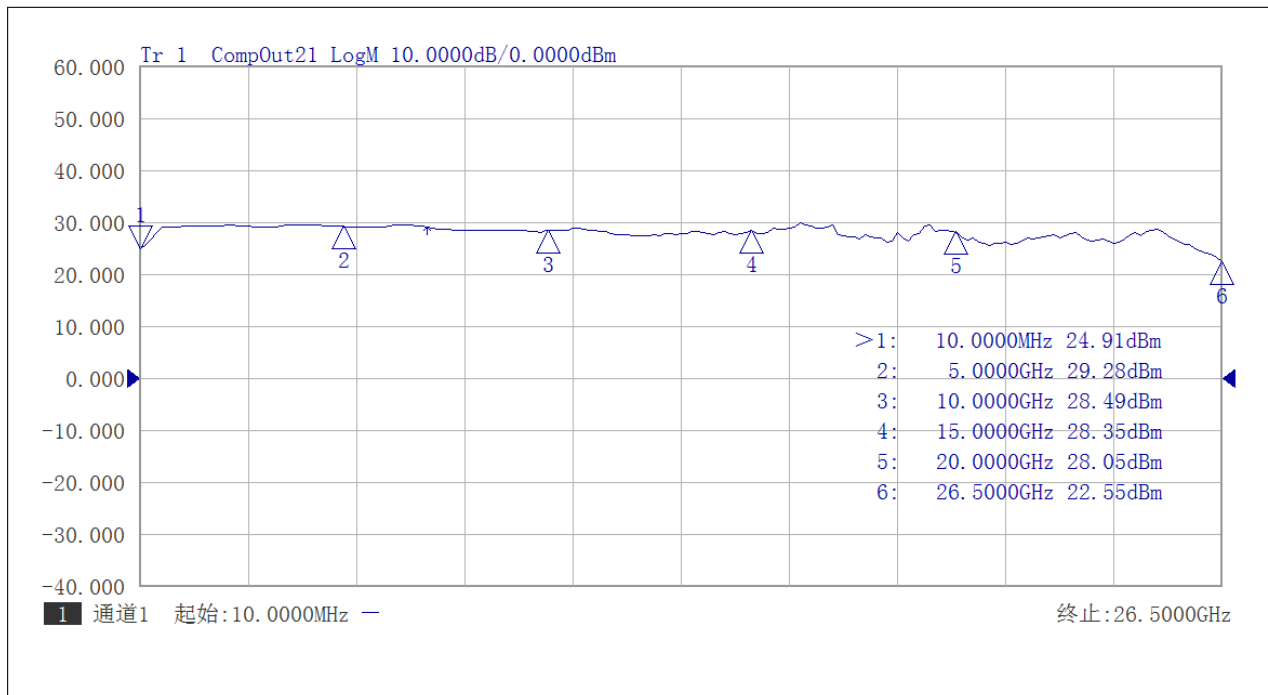


Gain vs Frequency

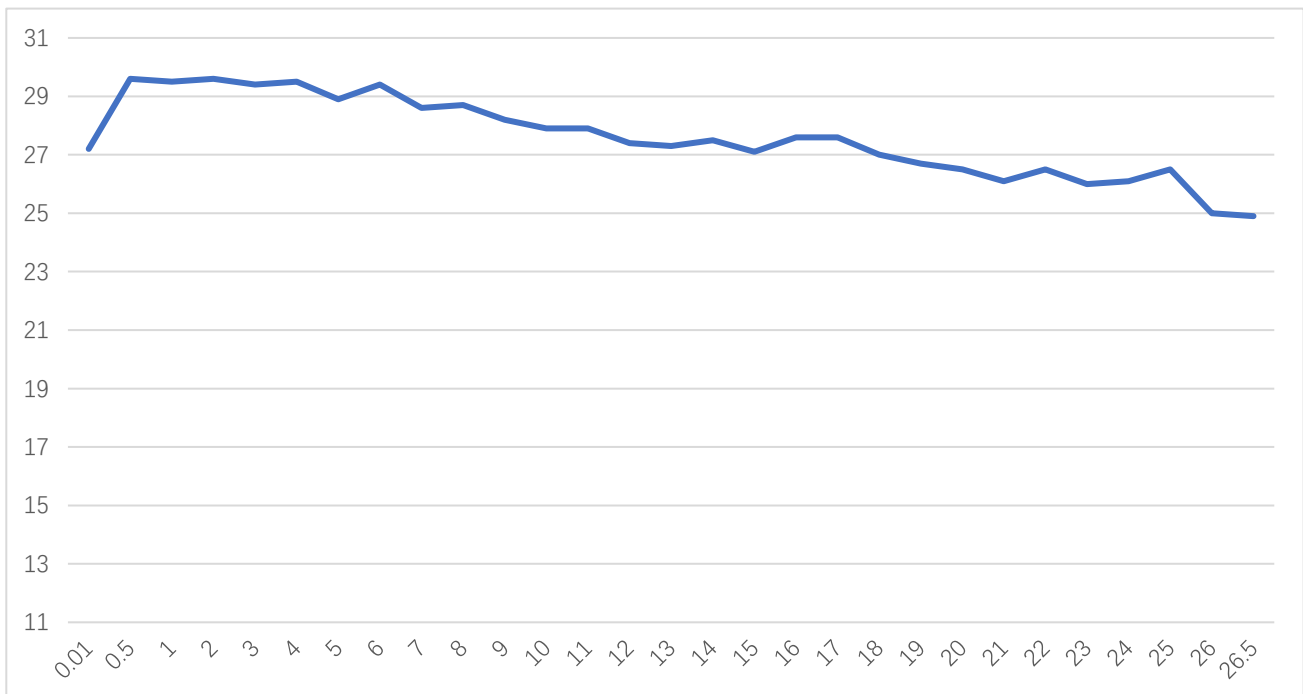


Return Loss vs Frequency





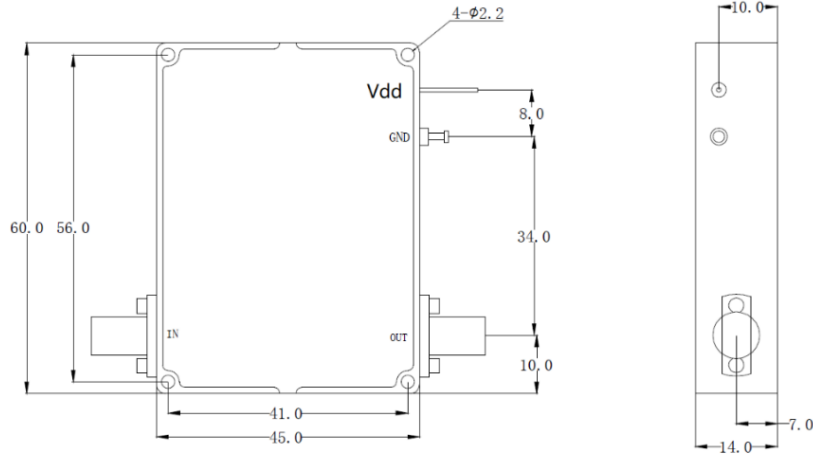
P1dB vs Frequency



Psat vs Frequency



Dimension without Heatsink: (unit mm)

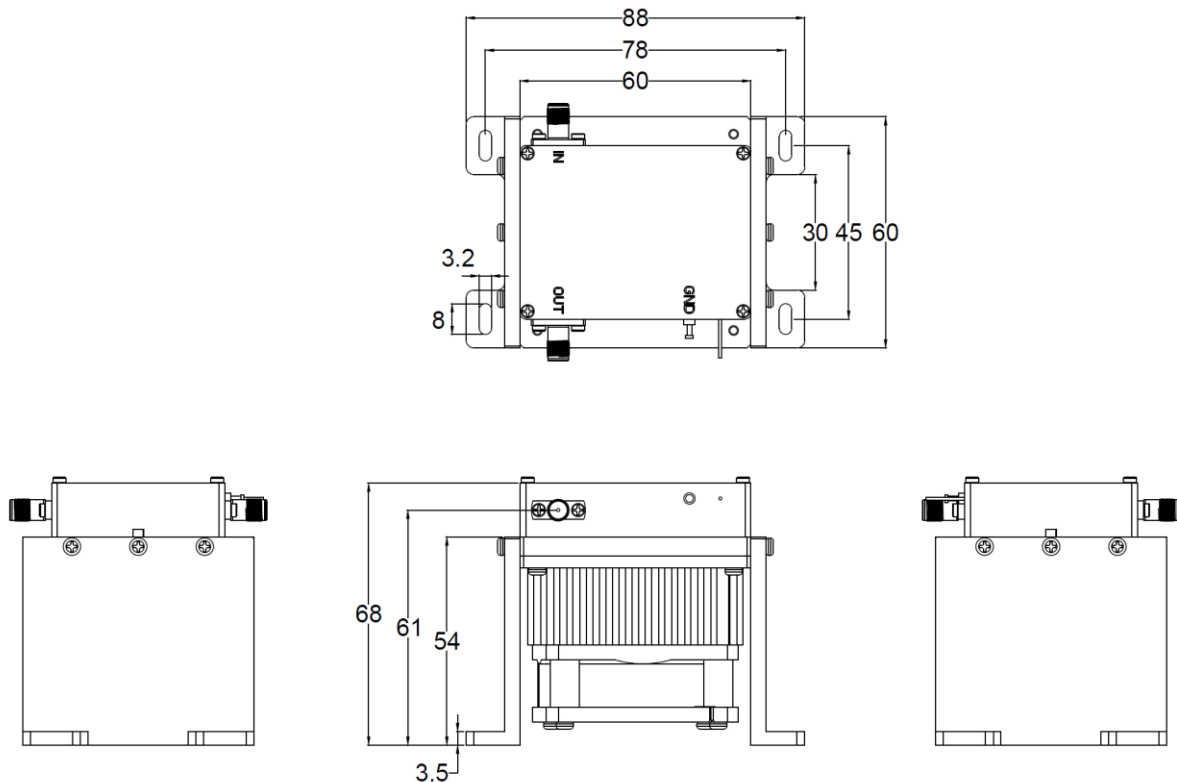


	<26.5GHz	<40GHz	<50GHz	<67GHz
Connector	SMA	2.92mm	2.4mm	1.85mm
Length of a	9.4mm	9.5mm	10.8mm	11.3mm

Note: Female Default. Contact with us for other types.

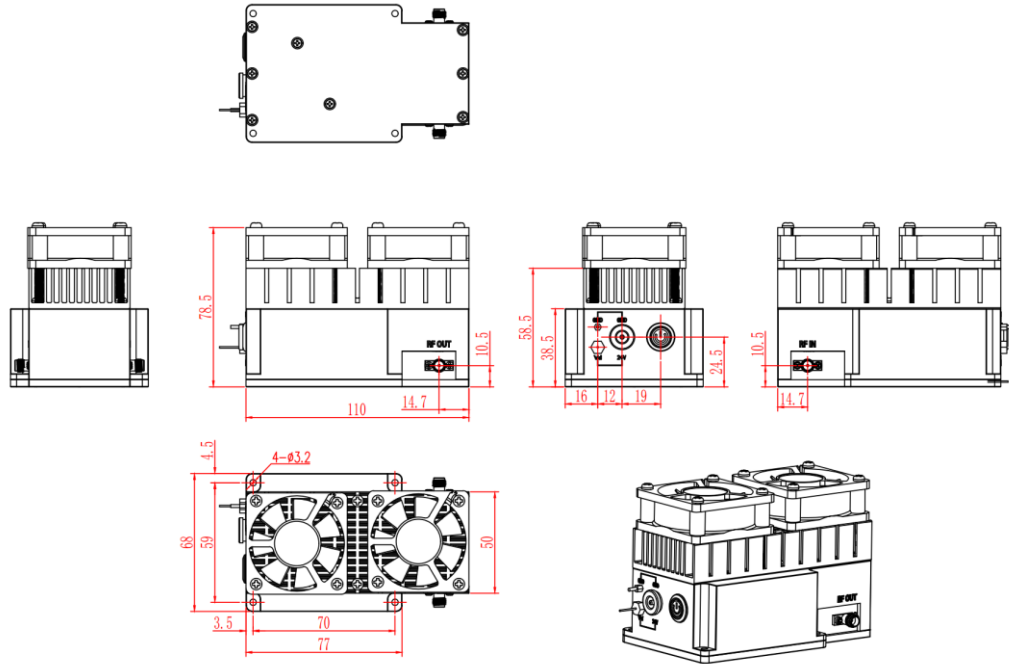
Outline without heatsink. Heat Sink Required During Operation

-HF Option Dimension with Heatsink and Fan: (unit mm)



-LCBT Option Dimension (unit mm)

Low Cost, Compact Bench-Top with 220V AC/DC Adapter



-BT Bench-top Dimension (unit mm)

