

## 5-18GHz 180Degree Analog Phase Shifter



### Description:

The AT-APS-0518-180 is an Analog Phase Shifter which is controlled via an analog control voltage from 0 to +13V.

It provides a continuously variable phase shift of 0 to 180 degrees from 5GHz to 18GHz with consistent insertion loss versus phase shift. The phase shift is monotonic with respect to control voltage.

### Feature

- ✓ Wide Band Operation 5-18GHz
- ✓ 180degree Phase Shift
- ✓ Low Insertion Loss
- ✓ Single Control Operation
- ✓ Customized Available

### Application

- ✓ Point to Point Radios
- ✓ VSAT Radios
- ✓ Test Equipment
- ✓ Fiber Optic
- ✓ Military and Space

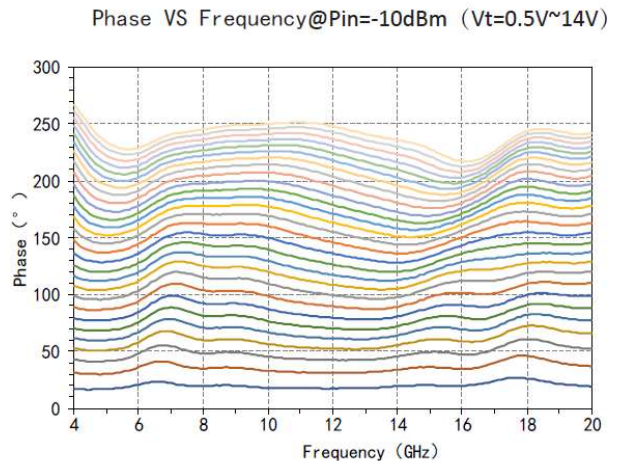
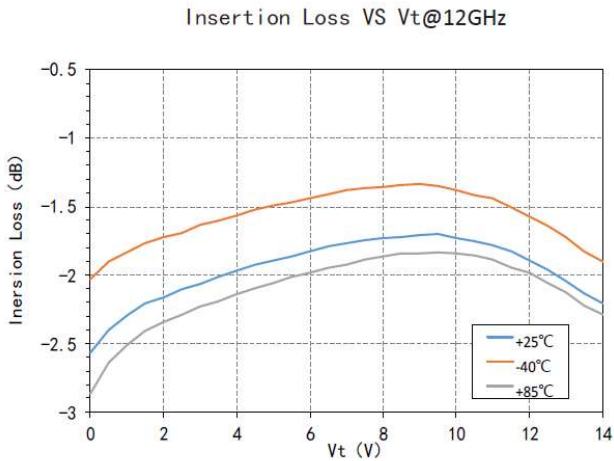
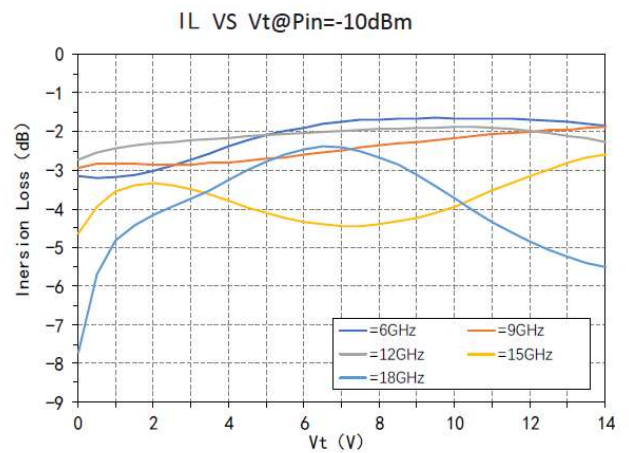
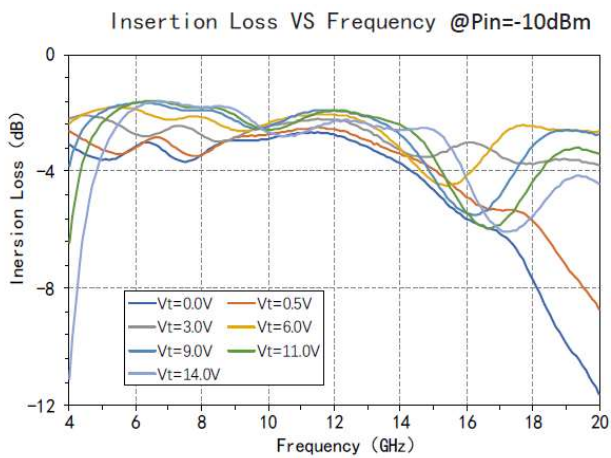
### Electronical Specifications:

Parameter	Min	Typical	Max	Unit
Frequency Range		5-18		GHz
Phase Range		180	220	Degree
Insertion Loss		-2.5		dB
Return Loss		-15		dB
Control Voltage		0-13		V
Control Current		1		uA
Sensitivity		18		Deg/V
Response Time		0.14		us
Temperature Sensitivity		0.1		Degree/C
Connector		SMA Female		

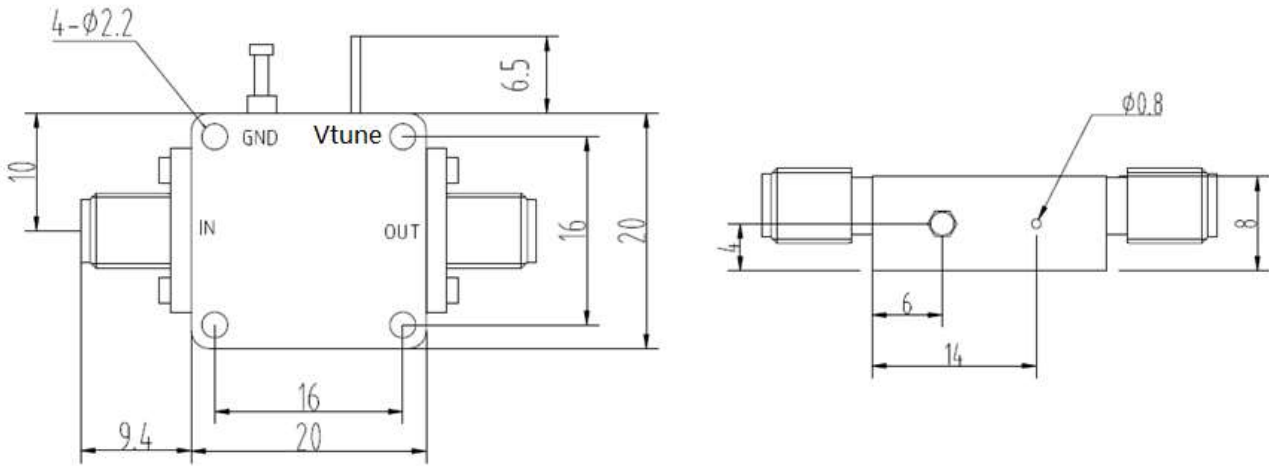


### Absolute Maximum Ratings Table

Parameter	Value
Control Voltage	-0.5 to +18V
RF Input Power	+15dBm
Operating Temperature	-40 to +85C
Storage Temperature	-65 to +150C
ESD Sensitive(HBM)	Class 1B



**Dimension:** (unit in mm)



	<26.5GHz	<40GHz	<50GHz	<67GHz
Connector	SMA	2.92mm	2.4mm	1.85mm
Lenth of a	9.4mm	9.5mm	10.8mm	11.3mm

Note: Female Default. Contact with us for other types.

