

Right-Angle Adapter

AT-AP-29X29X-RA

Feature

- 2.92mm TO 2.92mm Adapter
- Specified DC-40GHz
- Low Insertion Loss
- Excellent Broadband VSWR



Specifications -

Specifications guaranteed from -45 to +85°C, measured in a 50Ω system

Parameter	Frequency Range(GHz)	Min	Typ	Max	Unit
Insertion Loss	DC-40GHz		0.5	1	dB
VSWR	DC-40GHz		1.25		

Environmental

- 55 C to +125 C
- Corrosion: MIL-STD 202
- Vibration: MIL-STD 202

Materials

- Body: SU304 Polished & Passivated
- Center Contact: Beryllium Copper Gold Plated
- Insulators: PEI

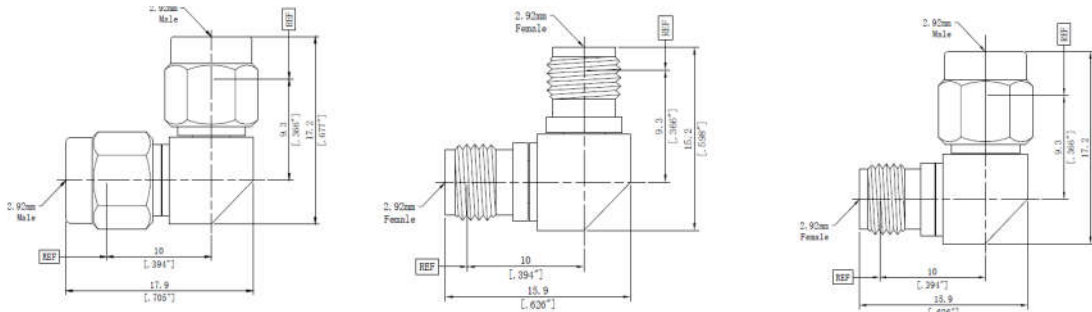
Mechanical

- 1000 Cycle Min

Order Information

Connector #1	Connector #2	Part Number
2.92mm Female	2.92mm Female	AT-AP-29F29F-RA
2.92mm Female	2.92mm Male	AT-AP-29F29M-RA
2.92mm Male	2.92mm Male	AT-AP-29M29M-RA

Dimension



AT Microwave

RM1204,NO.2911,North Zhongshan RD, Putuo District , Shanghai ,China, 200063

Tel:+8621-5291 8556 Email:sales@atmicrowave.com www.atmicrowave.com