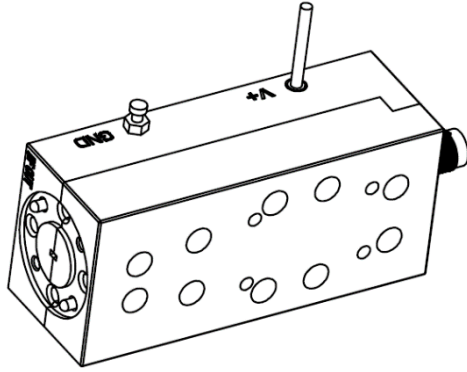


## High Power X8 W Band Active Multiplier

2025-3-25



### Product Overview

AT-AM8-88104-18 is a W band, active x8 frequency multiplier. The multiplier has an input frequency of 11 to 13GHz with a typical output +18dBm from 88-104GHz.

The input port is SMA female, and the output is a WR-10 waveguide. Other port configurations are available under different requirement.

More information, please visit [www.atmicrowave.com](http://www.atmicrowave.com)

### Advantages

- ✓ Frequency: 88-104GHz
- ✓ Pout: +18dBm typical
- ✓ Input Frequency: 11-13GHz
- ✓ Low Input Power: 0dBm
- ✓ Low Harmonics

### Application

- ✓ W band Communication
- ✓ FOD (Foreigner Objects Debris)
- ✓ Test Equipment
- ✓ ROF (RF Over Fiber)
- ✓ Radar System

### Key Features

Parameter	Min	Typical	Max
Input Frequency	11GHz		13Hz
Input Power	-5dBm	0dBm	+5dBm
Multiplier Factor		X8	
Output Frequency	88GHz		104GHz
Output Power	+17	+18dBm	
Harmonica Suppression		-15dBc	
Drain Voltage		+5V	+8V
Current/A		0.38A	0.45A
Spec Temp		25C	





# AT-AM8-88104-18

Active Multiplier x8, 88-104GHz Pout=+18dBm

## Mechanical Information

Item	Description
Input Port	SMA Female
Output Port	WR-10
Case Material	Copper
Finish	Gold Plated
Weight	190g
Size:	SEE OUTLINE

## Absolute Maximum Ratings Table

Parameter	Value
Drain Supply	+9V
RF Input Power	+15dBm
Operating Temperature	0 to 50 C
Storage Temperature	-45 to +85C

## Notes:

1. Datasheet may be changed according to update of MMIC, Raw materials , process, and so on.
2. This data is only for reference, not for guaranteed specifications.
3. Please contact AT Microwave team to make sure you have the most current data.

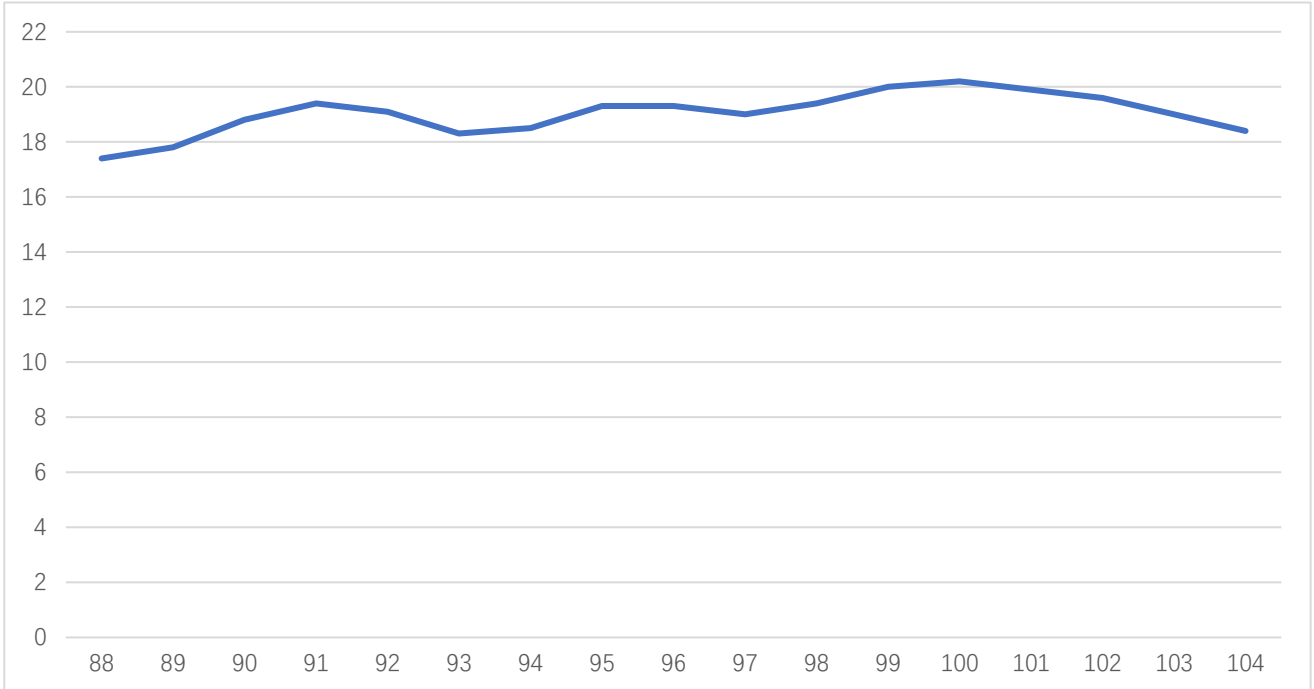




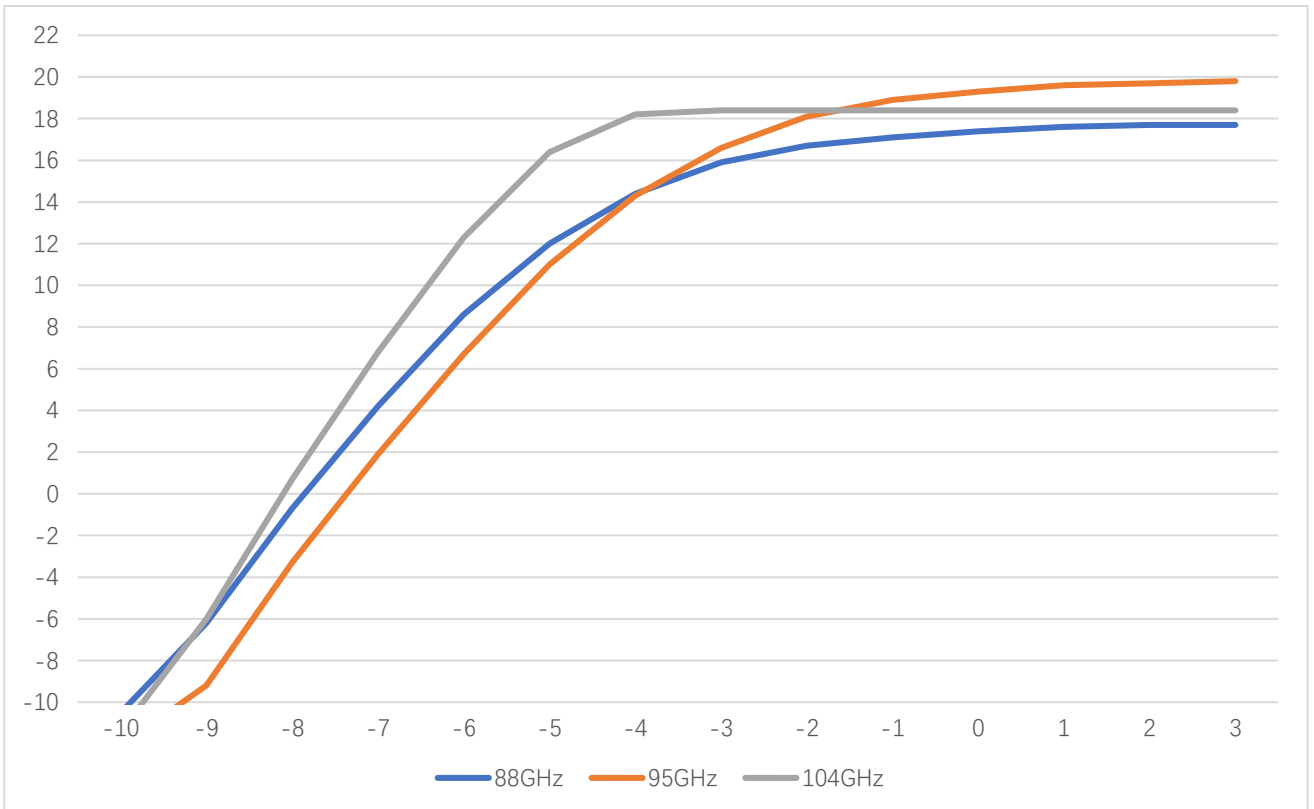
# AT-AM8-88104-18

Active Multiplier x8, 88-104GHz Pout=+18dBm

## Test Data(25C)



Pout vs Frequency



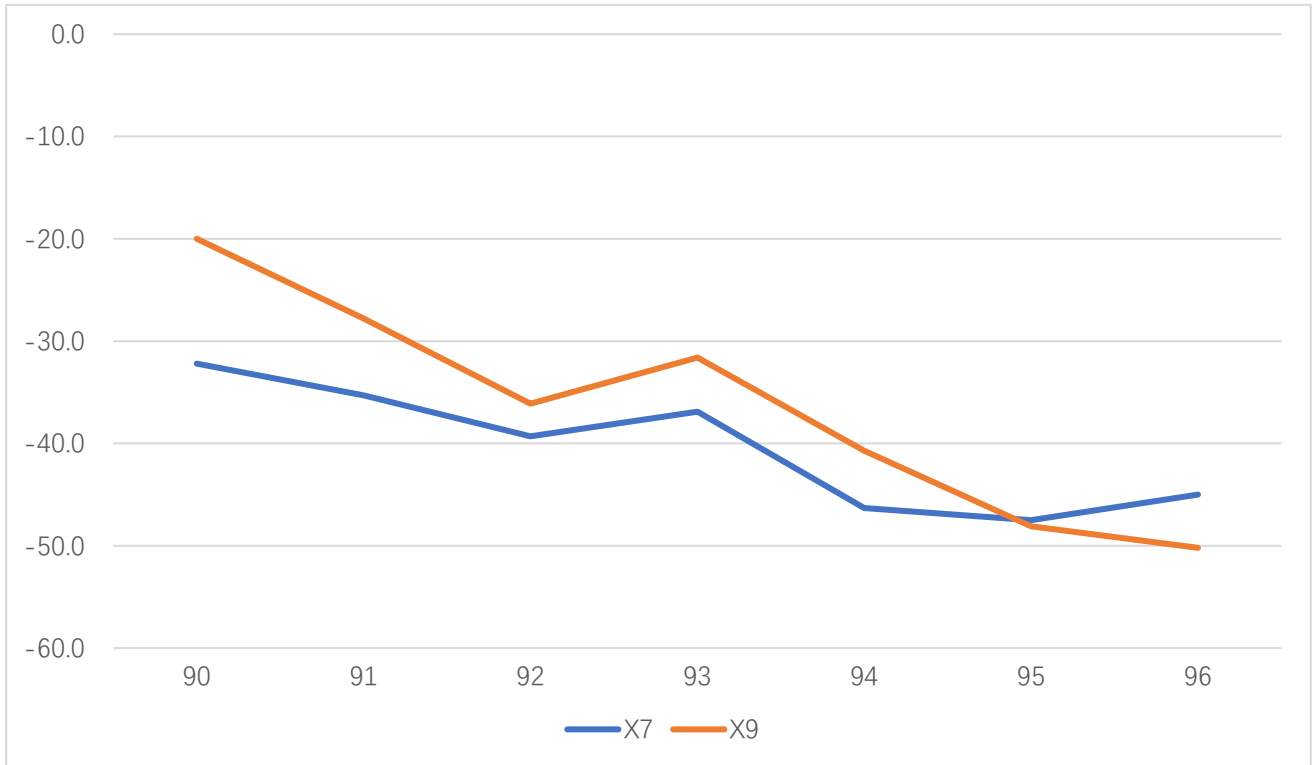
Pout vs Pin at 88/95/104GHz





# AT-AM8-88104-18

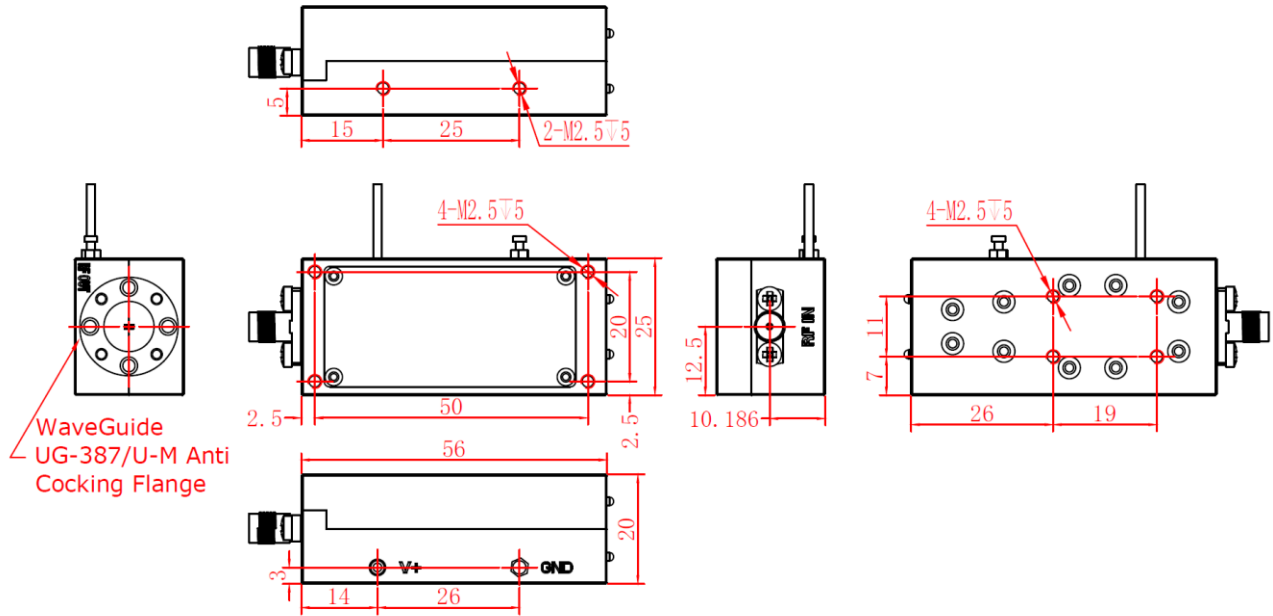
Active Multiplier x8, 88-104GHz Pout=+18dBm



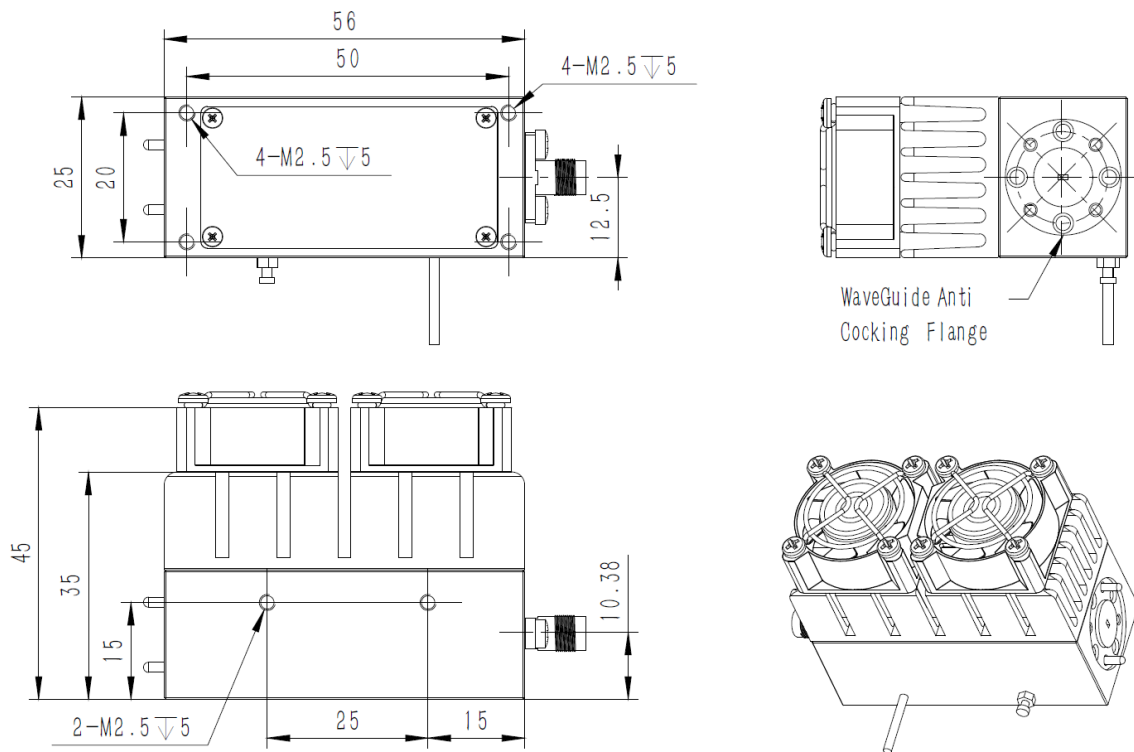
X7 X9 Suppression vs X8 Pout



## Dimension ( unit in mm)



Heatsink Required during operation.



AT Microwave provides heatsink and Fan in default for this module.

Customer can remove it if using own heatsink.

