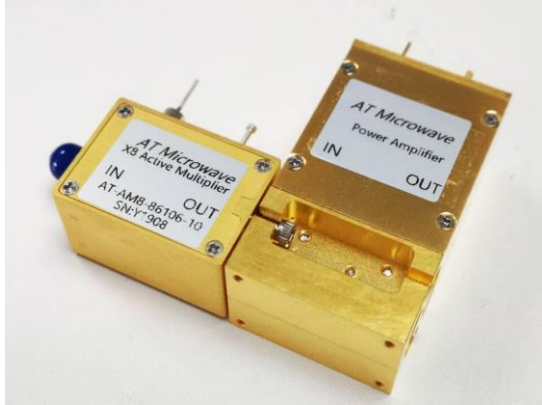


## High Power X6 E2 Band Active Multiplier



### Product Overview

AT-AM6-7586-27 is a E band, active x6 frequency multiplier. The multiplier has an input frequency of 12.5 to 14.33GHz with a typical output +27dBm from 75-86GHz.

The high power multiplier is made by AT-AM6-7186-12 and High power PA AT-PA-7590-27, which can work independently.

More information, please visit [www.atmicrowave.com](http://www.atmicrowave.com)

### Advantages

- ✓ Frequency: 75-86GHz
- ✓ Pout: +27dBm typical
- ✓ Input: 12.5-14.3GHz, +5dBm
- ✓ Low Harmonics

### Application

- ✓ E band Communication
- ✓ FOD (Foreigner Objects Debris)
- ✓ Test Equipment
- ✓ ROF (RF Over Fiber)
- ✓ Radar System

### Key Features

Parameter	Min	Typical	Max
Input Frequency	12.5GHz		14.33GHz
Input Power		+5dBm	+10dBm
Output Frequency	75GHz		86GHz
Output Power	+25	+27dBm	
Harmonica Suppression		-20dBc	
Drain Voltage		+5V	+6V
Current Quiescent/A		1.4A	
Current at +27dBm Pout		2.3A	
Output Connector		WR-12	
Input		SMA Female	





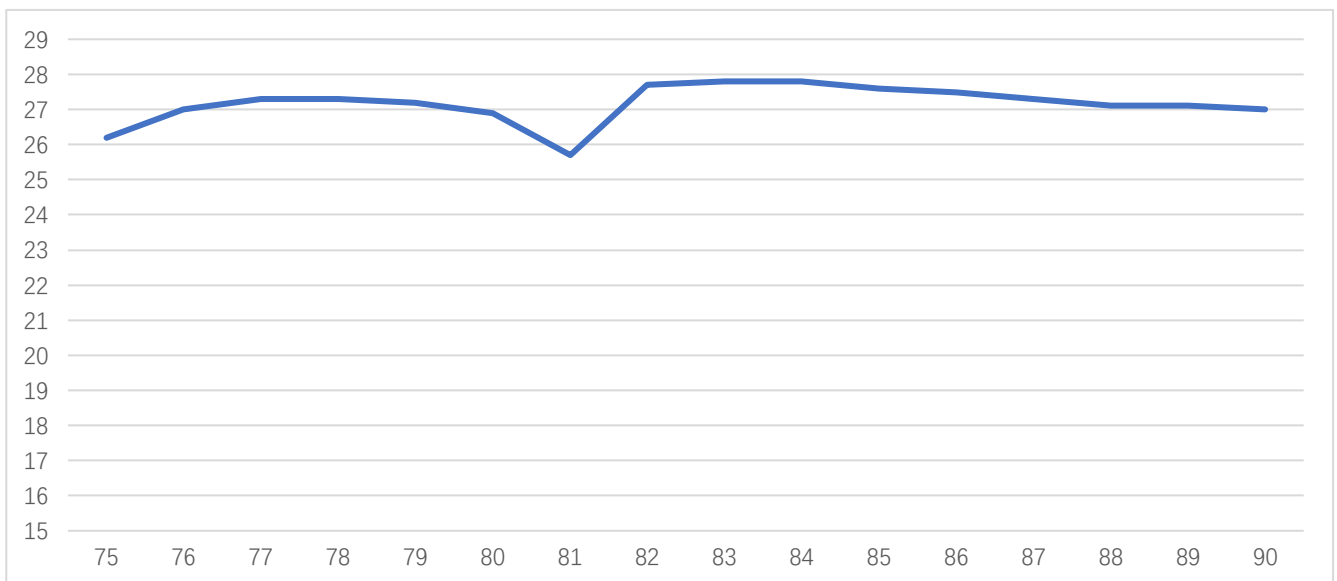
# AT-AM6-7586-27

Active Multiplier x6, 75-86GHz Pout=+27dBm

## Absolute Maximum Ratings Table

Parameter	Value
Drain Supply	+7V
RF Input Power	+10dBm
Operating Temperature	0 to 50 C
Storage Temperature	-65 to +150C

## Test Data(25C)



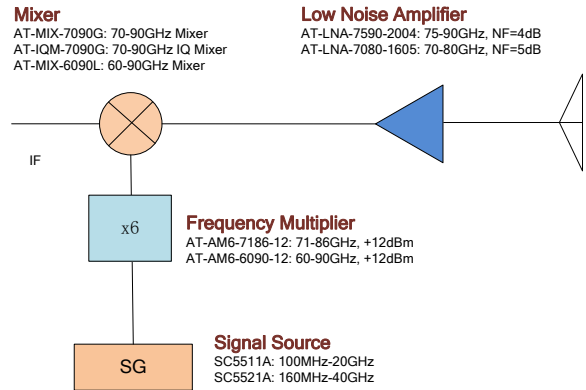
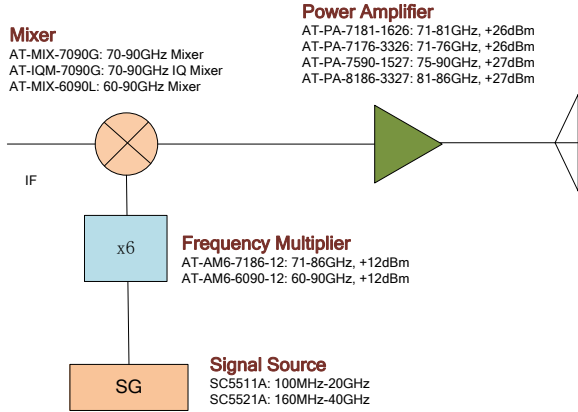
Pout Vs Frequency

## Notes:

1. Datasheet may be changed according to update of MMIC, Raw materials , process, and so on.
2. This data is only for reference, not for guaranteed specifications.
3. Please contact AT Microwave team to make sure you have the most current data.



### E Band Solution:



### Dimension: (Unit mm)

Show by Active multiplier and PA seperately.

