

AT-AM6-5766VG-13

Active Multiplier x6, 57-66GHz Pout=+13dBm

x6 V Band Active Multiplier

2023-1-1

57-66GHz, Pout=+13dBm, 1.85mm Male



Product Overview

AT-AM6-5766VG-13 is a V band, active x6 frequency multiplier. The multiplier has an input frequency of 9.5-11 GHz with a typical output +13dBm from 57-66GHz.

The integrated input and output buffers deliver high output power at a low drive level. The multiplier also has a typical harmonic suppression of -30dBc.

More information, please visit www.atmicrowave.com

Advantages

- ✓ Frequency: 57-66GHz
Can be used at 55-75GHz
- ✓ Pout: +13dBm typical
- ✓ Input: 9.5-11GHz, +5dBm
- ✓ Single Power Supply

Application

- ✓ V band Communication
- ✓ Test Equipment
- ✓ ROF (RF Over Fiber)
- ✓ Radar System

Key Features

Parameter	Min	Typical	Max
Input Frequency	9.5GHz		11GHz
Input Power	0	+5dBm	+10
Multiplier Factor		X6	
Output Frequency	57GHz		66GHz
Output Power	+12dBm	+13dBm	+15dBm
Harmonic Suppression		-30dBc	
Drain Voltage		+5V	+8V
Current		240mA	
Spec Temp		25C	





AT-AM6-5766VG-13

Active Multiplier x6, 57-66GHz Pout=+13dBm

Mechanical Information

Item	Description
Input Port	SMA Female
Output Port	1.85mm Male
Case Material	Copper
Finish	Gold Plated
Weight (Without Heatsink)	190g
Size:	See outline

Absolute Maximum Ratings Table

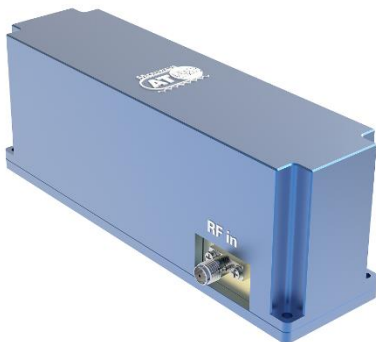
Parameter	Value
Drain Supply	+9V
RF Input Power	+15dBm
Operating Temperature	-40 to +85C
Storage Temperature	-55 to +125C

Notes:

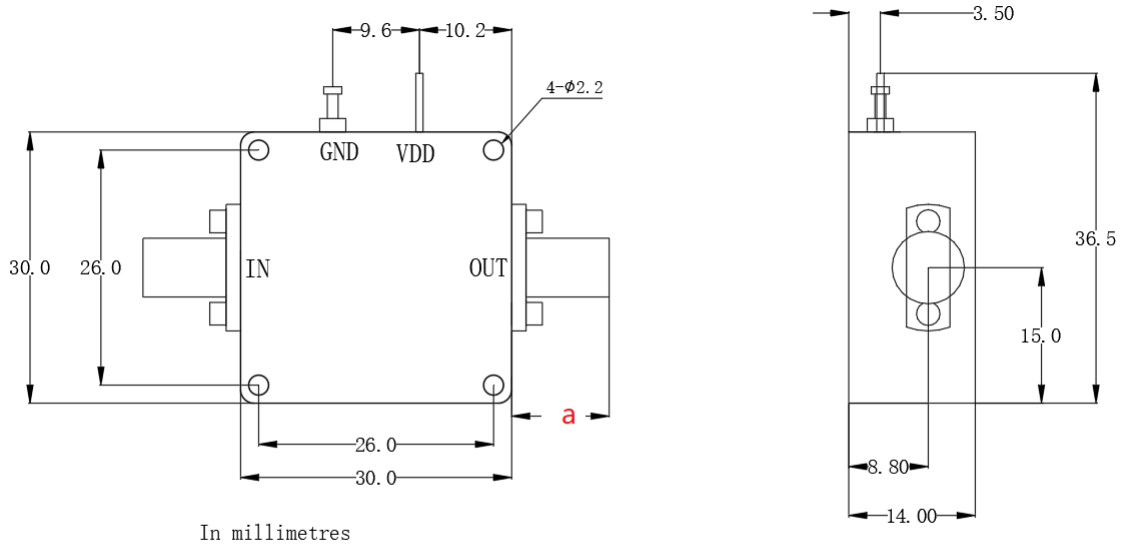
1. Datasheet may be changed according to update of MMIC, Raw materials , process, and so on.
2. This data is only for reference, not for guaranteed specifications.
3. Please contact AT Microwave team to make sure you have the most current data.

Part Number Selection Guide

Item	Description
PN	Stand Module with DC Power Supply
PN-LCBI	L ow Cost, C ompact B ench- T op, +220V Supply with AC/DC Adapter



Dimension: (Unit:mm)



	<26.5GHz	<40GHz	<50GHz	<67GHz
Connector	SMA	2.92mm	2.4mm	1.85mm
Lenth of a	9.4mm	9.5mm	10.8mm	11.3mm

Heat Sink Required If Case Temp Higher Than 50C

