

X4 W Band Active Multiplier

2020-12-31

Product Overview



AT-AM4-8595-00 is a W band, active x4 frequency multiplier. The multiplier has an input frequency of 21.25-23.75GHz with a typical output +0dBm from 85 to 95GHz.

The integrated input and output buffers deliver high output power at a low drive level. The multiplier also has a typical harmonic suppression of -20dBc. The input port is SMA female, and the output is a WR-10 waveguide with a standard UG-387 flange.

More information, please visit www.atmicrowave.com

Advantages

- ✓ Frequency: 85-95GHz
- ✓ Pout: +0dBm typical
- ✓ Input: 21.25-23.75GHz, 10dBm
- ✓ Single Supply: +5V, LDO inside

Application

- ✓ W band Imaging
- ✓ FOD (Foreigner Objects Debris)
- ✓ Test Equipment
- ✓ ROF (RF Over Fiber)
- ✓ Radar System

Key Features

Parameter	Min	Typical	Max
Input Frequency	21.25GHz		23.75GHz
Input Power		+10 dBm	
Multiplier Factor		X4	
Output Frequency	85GHz		95GHz
Output Power		0dBm	
Harmonica Suppression		-20dBc	
Drain Voltage		+5V/160mA	
Spec Temp		25C	





AT-AM4-8595-00

Active Multiplier x4, 85-95GHz Pout=0dBm

Mechanical Information

Item	Description
Input Port	2.92mm Female
Output Port	WR-10
Case Material	Copper
Finish	Gold Plated
Weight (Without Heatsink)	190g
Size:	35X25X20 mm

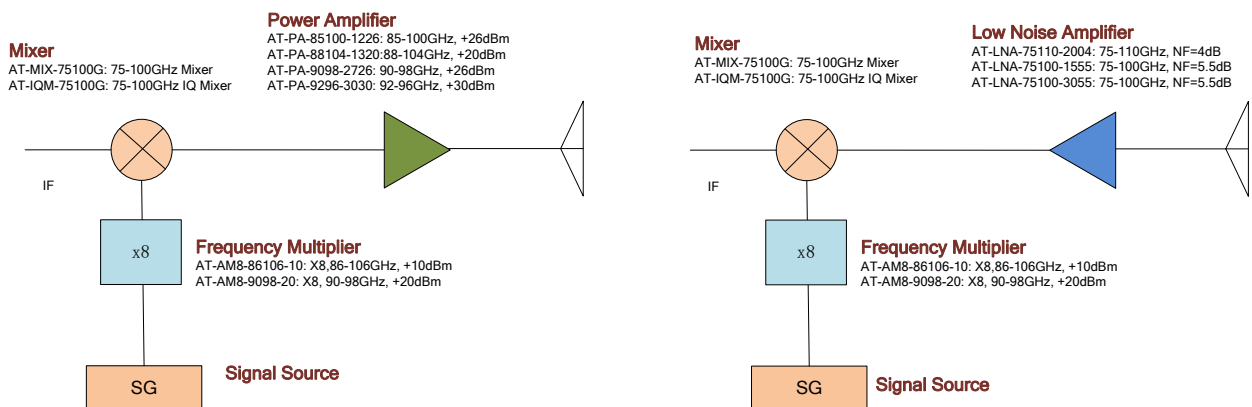
Absolute Maximum Ratings Table

Parameter	Value
Drain Supply	+8V
RF Input Power	+15dBm
Operating Temperature	0 to 50C
Storage Temperature	-65 to +150C

Notes:

1. Datasheet may be changed according to update of MMIC, Raw materials , process, and so on.
2. This data is only for reference, not for guaranteed specifications.
3. Please contact AT Microwave team to make sure you have the most current data.

W Band Solution:



Dimension:

