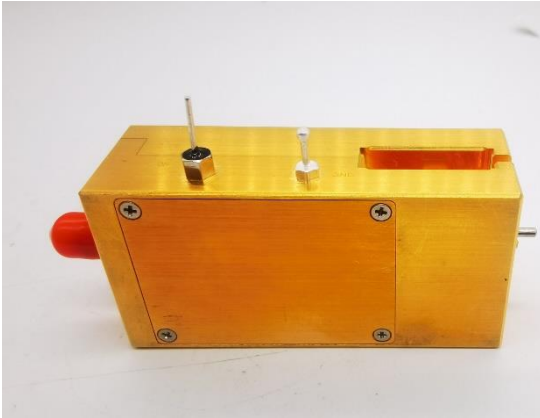




AT-AM4-6090-12

Active Multiplier x4, 60-90GHz Pout=+12dBm

X4 Full E Band Active Multiplier



Description:

AT-AM4-6090-12 is a full E band, active x4 frequency multiplier. The multiplier has an input frequency of 15-22.5 GHz with a typical output +12dBm from 60-90GHz.

The integrated input and output buffers deliver high output power at a low drive level. The multiplier also has a typical harmonic suppression. The input port is SMA female, and the output is WR-12. Other port configurations are available under different requirement.

More information, please visit www.atmicrowave.com

Feature

- ✓ Frequency: 60-90GHz
- ✓ Pout: +12dBm typical
- ✓ Input: 15-22.5GHz
- ✓ Low Harmonics

Application

- ✓ E band Communication
- ✓ Test Equipment
- ✓ ROF (RF Over Fiber)
- ✓ Radar System

Electronical Specifications:

Parameter	Min	Typical	Max
Input Frequency	15GHz		22.5GHz
Input Power	+10	+12dBm	+15
Multiplier Factor		X4	
Output Frequency	60GHz		90GHz
Output Power	+10dBm	+12dBm	
X3 Harmonic Suppression		-15dBc	
X5 Harmonics Suppression		-45dBc	
Drain Voltage		+5V/350mA	+8V
Spec Temp		25C	





AT-AM4-6090-12

Active Multiplier x4, 60-90GHz Pout=+12dBm

Mechanical Information

Item	Description
Input Port	SMA Female
Output Port	WR-12
Case Material	Copper
Finish	Gold Plated
Weight	190g
Size:	See outline

Absolute Maximum Ratings Table

Parameter	Value
Drain Supply	+9V
RF Input Power	+20dBm
Operating Temperature	0 to +50C
Storage Temperature	-65 to +150C

Notes:

- ✓ Datasheet may be changed according to update of MMIC, Raw materials , process, and so on.
- ✓ This data is only for reference, not for guaranteed specifications.
- ✓ Please contact AT Microwave team to make sure you have the most current data.
- ✓ Always pay attention to the temperature of the case, heatsink and fan are required if case temperature exceeds over 50C.

Part Number Selection Guide

Part Number	Description
AT-AM4-6090-12	High Input driver +13dBm
AT-AM4-6090-12L	Low Input diver option, +3dBm. Recommended



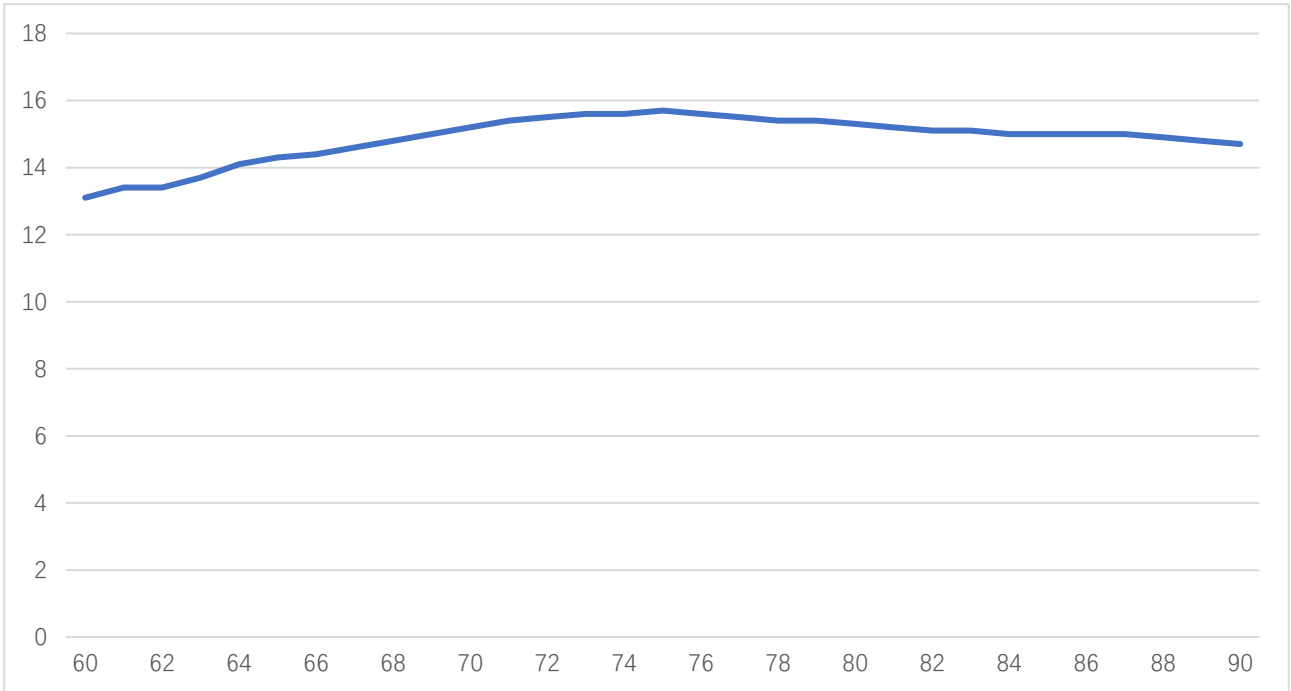


AT-AM4-6090-12

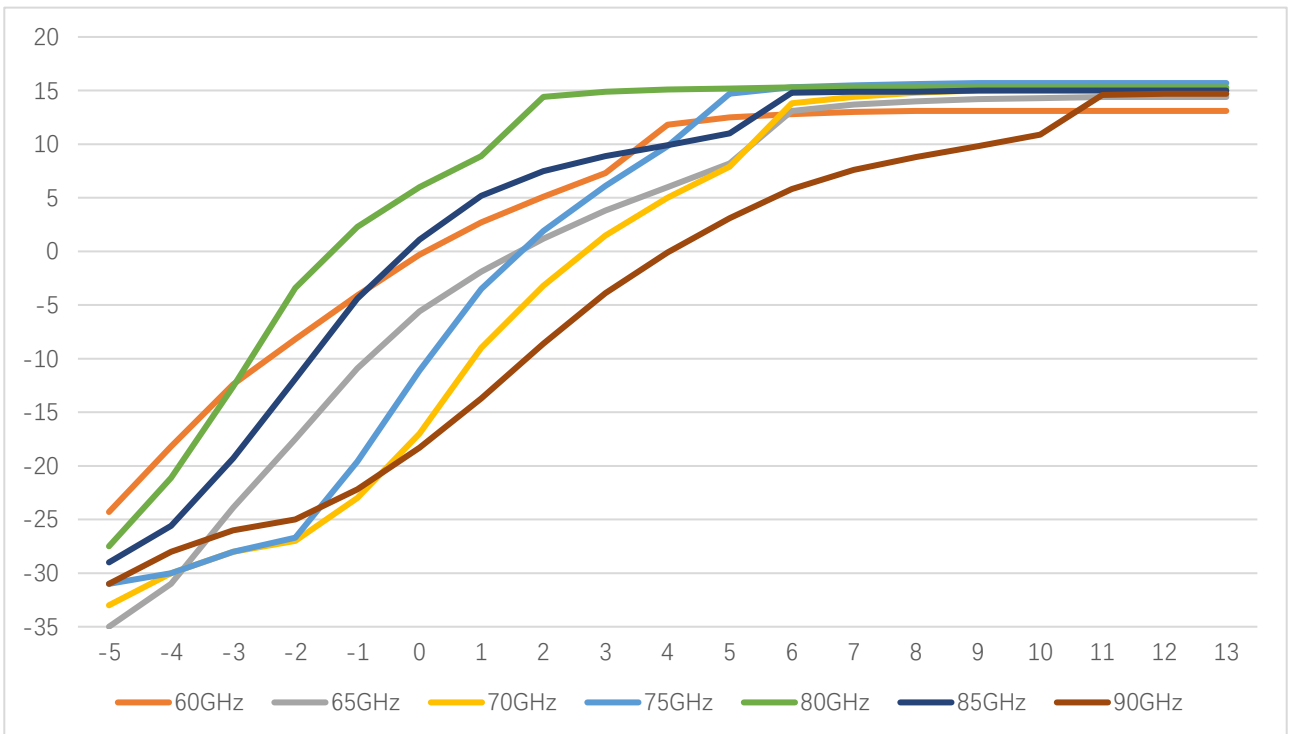
Active Multiplier x4, 60-90GHz Pout=+12dBm

Test Data (25C)

Please note that test curves will vary slightly from unit to unit.

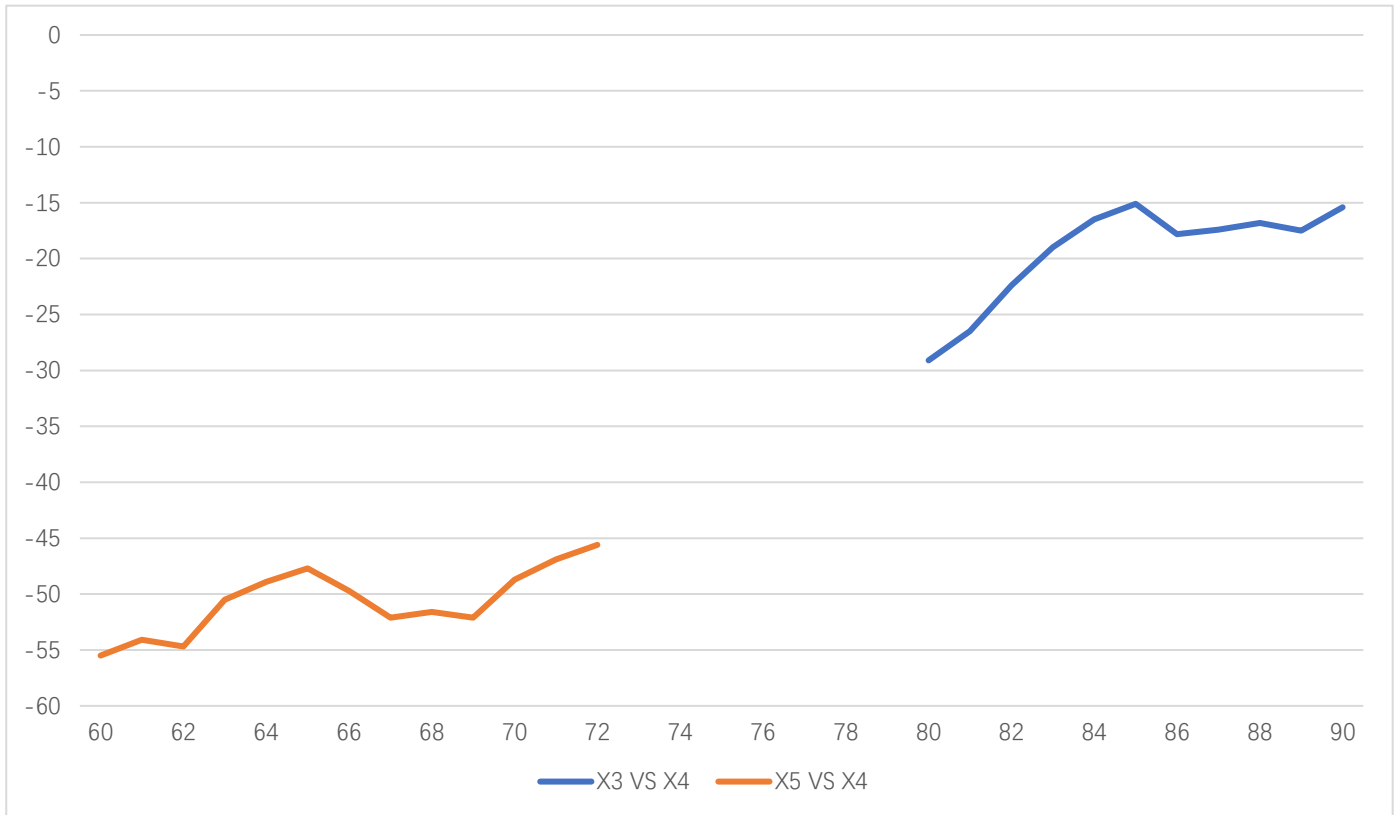


Pout vs Frequency



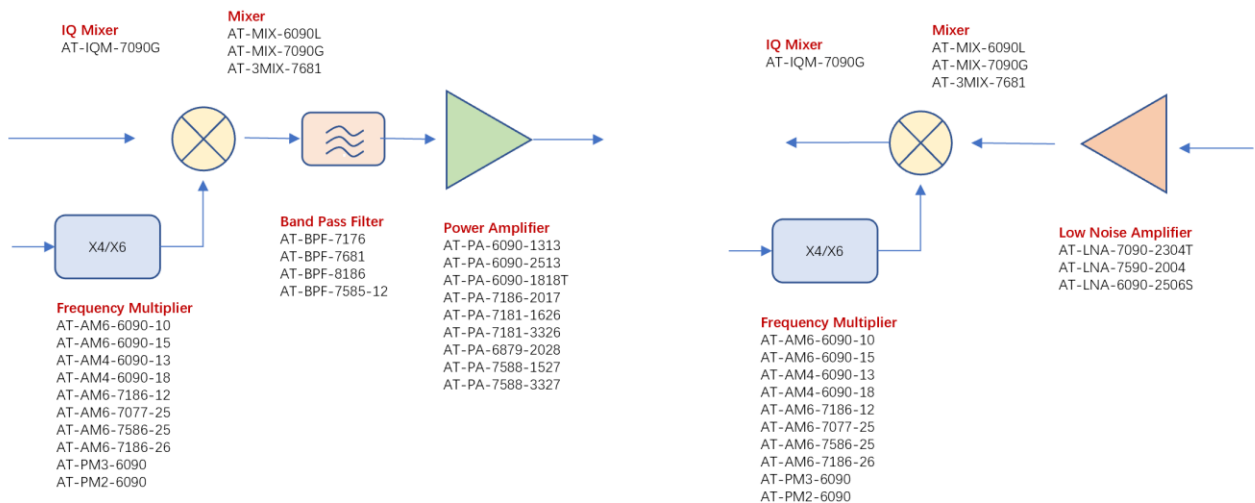
Pout vs Pin





X3/X5 Harmonics vs X4 Pout

E Band 60-90GHz



Dimension (unit in mm)

