



# AT-AM4-3567-13C

Active Multiplier x4, 35-67GHz Pout=+13dBm

## Active X4, 35-67GHz Broadband, High Power



### Description:

AT-AM4-3567-13 is a broadband frequency multiplier. The multiplier has an input frequency of 8.75-16.75 GHz with a typical output +13dBm from 35-67GHz.

The integrated input and output buffers deliver high output power at a low drive level. The multiplier also has a typical harmonic suppression. The input port is SMA female, and the output is 1.85 mm Female. Other port configurations are available under different requirement.

For more information, please visit [www.atmicrowave.com](http://www.atmicrowave.com)

### Feature

- ✓ Frequency: 35-67GHz
- ✓ Pout: +13dBm typical
- ✓ Input: 8.75-16.75GHz
- ✓ Low Harmonics

### Application

- ✓ 28/39GHz 5G Communication
- ✓ Test Equipment
- ✓ ROF (RF Over Fiber)
- ✓ Radar System

## Electronical Specifications:

Parameter	Min	Typical	Max
Input Frequency	8.75GHz		16.75GHz
Input Power	+10	+12dBm	+16
Multiplier Factor		X4	
Output Frequency	35GHz		67GHz
Output Power	+10	+13dBm	
1 <sup>st</sup> /3 <sup>rd</sup> Harmonic Suppression		-20dBc	
Drain Voltage	+5.5V	+8V	+9V
Current		200mA	
Spec Temp		25C	





# AT-AM4-3567-13C

Active Multiplier x4, 35-67GHz Pout=+13dBm

## Mechanical Information

Item	Description
Input Port	SMA Female
Output Port	1.85mm Female
Case Material	Copper
Finish	Gold Plated
Package Sealing	Epoxy Sealed
Weight (Without Heatsink)	80g
Size:	45x34x8.5mm

## Absolute Maximum Ratings Table

Parameter	Value
Drain Supply	+13V
RF Input Power	+20dBm
Operating Temperature	-20 to +70C
Storage Temperature	-65 to +130C

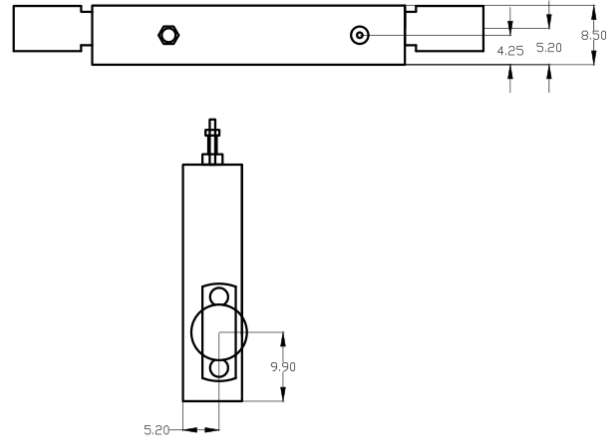
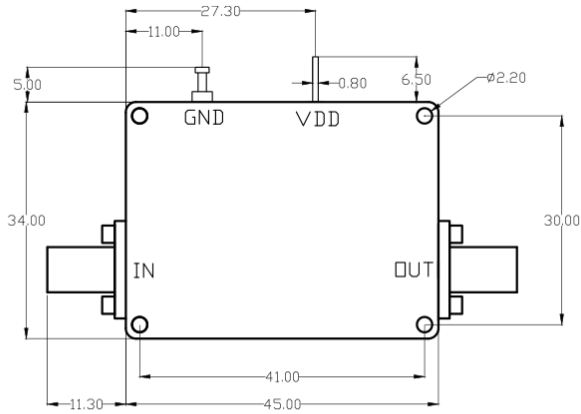
**Note:** -40 to 85C operating Temp range is available according to request.

### Notes:

- ✓ Datasheet may be changed according to update of MMIC, Raw materials , process, and so on.
- ✓ This data is only for reference, not for guaranteed specifications.
- ✓ Please contact AT Microwave team to make sure you have the most current data.
- ✓ Always pay attention to the temperature of the case, heatsink and fan are required if case temperature exceeds over 50C.



**Dimension:** (Unit:mm)



In millimetres

The 11.30 size marked is 1.85mm female connector

if use SMA female the size is 9.4 and 2.92mm female is 9.5

