



AT-AM4-1844-20XC

Active Multiplier x4, 18-44GHz Pout=+20dBm

Active X4, 18-44GHz Broadband



Description:

AT-AM4-1844-20XC is a broadband frequency multiplier. The multiplier has an input frequency of 4.5-11 GHz with a typical output +20dBm from 18-44GHz.

The integrated input and output buffers deliver high output power at a low drive level. The multiplier also has a typical harmonic suppression. The input port is SMA female, and the output is 2.92mm Female. Other port configurations are available under different requirement.

More information, please visit www.atmicrowave.com

Feature

- ✓ Frequency: 18-44GHz
- ✓ Pout: +20dBm typical
- ✓ Input: 4.5-11GHz
- ✓ Low Harmonics

Application

- ✓ 28/39GHz 5G Communication
- ✓ Test Equipment
- ✓ ROF (RF Over Fiber)
- ✓ Radar System

Electronical Specifications:

| Parameter | Min | Typical | Max |
|-------------------|--------|---------|-------|
| Input Frequency | 4.5GHz | | 11GHz |
| Input Power | 0 | +3dBm | +6dBm |
| Multiplier Factor | | X4 | |
| Output Frequency | 18GHz | | 44GHz |
| Output Power | +18dBm | +20dBm | |
| Drain Voltage | | +5V | +8V |
| Current | | 280mA | |
| Spec Temp | | 25C | |





AT-AM4-1844-20XC

Active Multiplier x4, 18-44GHz Pout=+20dBm

Mechanical Information

| Item | Description |
|---------------------------|---------------|
| Input Port | SMA Female |
| Output Port | 2.92mm Female |
| Case Material | Copper |
| Finish | Gold Plated |
| Weight (Without Heatsink) | 80g |
| Size: | 45x34x9.5mm |

Absolute Maximum Ratings Table

| Parameter | Value |
|-----------------------|--------------|
| Drain Supply | +13V |
| RF Input Power | +15dBm |
| Operating Temperature | -20 to +70C |
| Storage Temperature | -65 to +150C |

Note: -40 to 85C operating Temp range is available according to request.

Notes:

- ✓ Datasheet may be changed according to update of MMIC, Raw materials , process, and so on.
- ✓ This data is only for reference, not for guaranteed specifications.
- ✓ Please contact AT Microwave team to make sure you have the most current data.
- ✓ Always pay attention to the temperature of the case, heatsink and fan are required if case temperature exceeds over 50C.

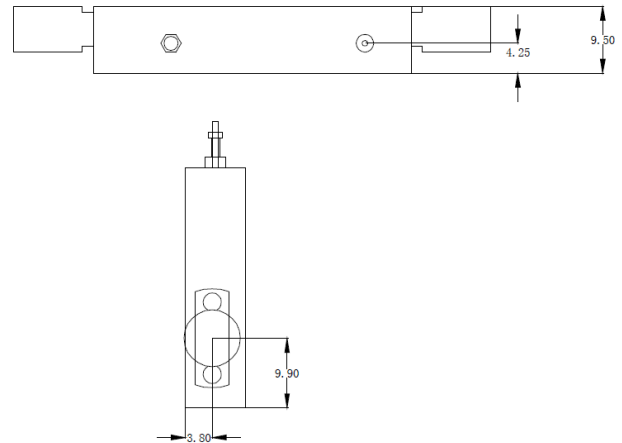
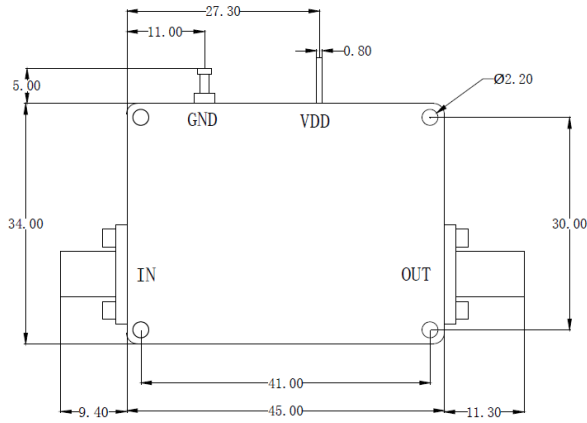




AT-AM4-1844-20XC

Active Multiplier x4, 18-44GHz Pout=+20dBm

Dimension: (Unit:mm)



| | <26.5GHz | <40GHz | <50GHz | <67GHz |
|-------------|----------|--------|--------|--------|
| Connector | SMA | 2.92mm | 2.4mm | 1.85mm |
| Length of a | 9.4mm | 9.5mm | 10.8mm | 11.3mm |

Note: Female Default. Contact with us for other types.

Heat Sink Required If Case Temp Higher Than 50C

