



AT-AM2-1232-15L

Active Multiplier x2, 12-32GHz Pout=+15dBm

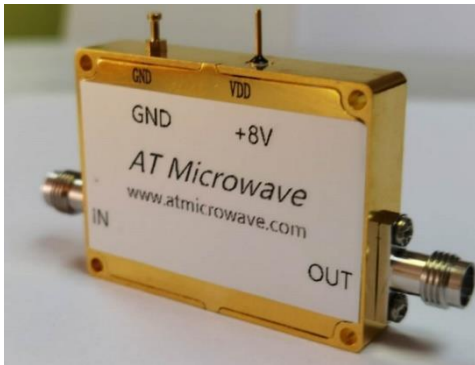
Active X2, 12-32GHz Broadband

Description:

AT-AM2-1232-15L is a broadband frequency doubler. The doubler has an input frequency of 6-16 GHz with a typical output +15dBm from 12-32GHz.

The integrated output buffers deliver high output power at a low drive level. The doubler also has a typical harmonic suppression. The input port is SMA female, and the output is 2.92mm Female.

More information, please visit www.atmicrowave.com



Feature

- ✓ Frequency: 12-32GHz
- ✓ Pout: +15dBm typical
- ✓ Input: 6-16GHz
- ✓ Low Harmonics

Application

- ✓ 5G Communication
- ✓ Test Equipment
- ✓ ROF (RF Over Fiber)
- ✓ Radar System

Electronical Specifications:

Parameter	Min	Typical	Max
Input Frequency	6GHz		16GHz
Input Power	0	+3dBm	+5
Multiplier Factor		X2	
Output Frequency	12GHz		32GHz
Output Power		+15dBm	
1 st /3 rd Harmonic Suppression		-32dBc	
Drain Voltage		+5V	+8V
Current		380mA	
Spec Temp		25C	





AT-AM2-1232-15L

Active Multiplier x2, 12-32GHz Pout=+15dBm

Mechanical Information

Item	Description
Input Port	SMA Female
Output Port	2.92mm Male
Case Material	Copper
Finish	Gold Plated
Package Sealing	Epoxy Sealed
Weight (Without Heatsink)	80g
Size:	45x34x8.5mm

Absolute Maximum Ratings Table

Parameter	Value
Drain Supply	+13V
RF Input Power	+15dBm
Operating Temperature	-20 to +70C
Storage Temperature	-65 to +150C

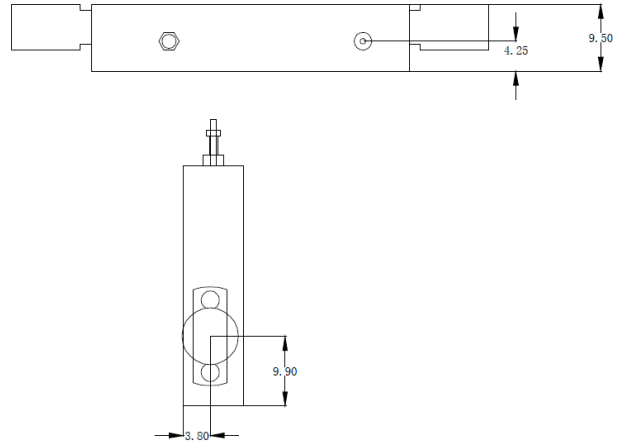
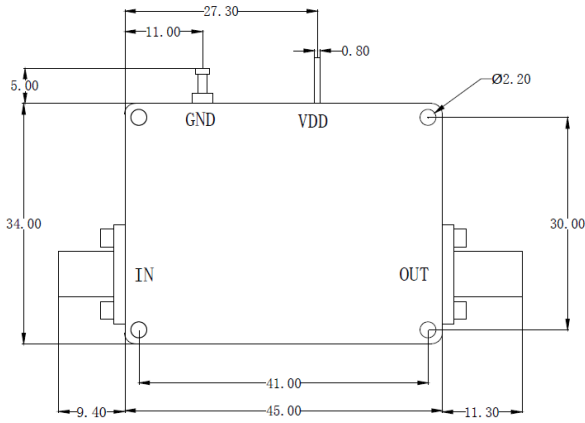
Note: -40 to 85C operating Temp range is available according to request.

Notes:

- ✓ Datasheet may be changed according to update of MMIC, Raw materials , process, and so on.
- ✓ This data is only for reference, not for guaranteed specifications.
- ✓ Please contact AT Microwave team to make sure you have the most current data.
- ✓ Always pay attention to the temperature of the case, heatsink and fan are required if case temperature exceeds over 50C.



Dimension: (Unit:mm)



	<26.5GHz	<40GHz	<50GHz	<67GHz
Connector	SMA	2.92mm	2.4mm	1.85mm
Length of a	9.4mm	9.5mm	10.8mm	11.3mm

Note: Female Default. Contact with us for other types.

Heat Sink Required If Case Temp Higher Than 50C

