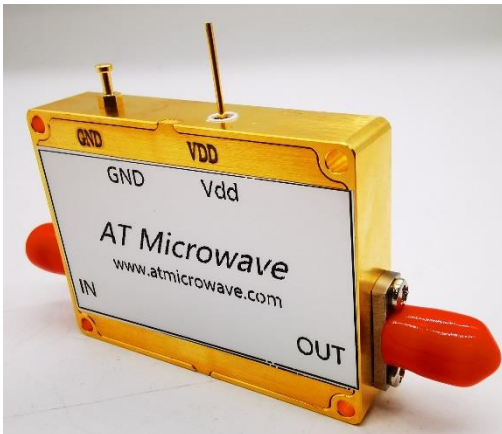


AT-AM2-1030-15XC

Active Multiplier x2, 10-30GHz Pout=+15dBm

Active X2, 10-30GHz Broadband



Description:

AT-AM2-1030-15XC is a broadband frequency doubler. The doubler has an input frequency of 5-15 GHz with a typical output +15dBm from 10-30GHz.

The integrated output buffers deliver high output power at a low drive level. The doubler also has a typical harmonic suppression. The input port is SMA female, and the output is 2.92mm Female.

More information, please visit www.atmicrowave.com

Feature

- ✓ Frequency: 10-30GHz
- ✓ Pout: +15dBm typical
- ✓ Input: 6-16GHz
- ✓ Low Harmonics

Application

- ✓ 5G Communication
- ✓ Test Equipment
- ✓ ROF (RF Over Fiber)
- ✓ Radar System

Electronical Specifications:

Parameter	Min	Typical	Max
Input Frequency	5GHz		15GHz
Input Power	0	+3dBm	+5
Multiplier Factor		X2	
Output Frequency	10GHz		30GHz
Output Power		+15dBm	
1 st /3 rd Harmonic Suppression		-30dBc	
Drain Voltage		+5V	+8V
Current		380mA	
Spec Temp		25C	





AT-AM2-1030-15XC

Active Multiplier x2, 10-30GHz Pout=+15dBm

Mechanical Information

Item	Description
Input Port	SMA Female
Output Port	2.92mm Male
Case Material	Copper
Finish	Gold Plated
Package Sealing	Epoxy Sealed
Weight (Without Heatsink)	80g
Size:	45x34x8.5mm

Absolute Maximum Ratings Table

Parameter	Value
Drain Supply	+13V
RF Input Power	+15dBm
Operating Temperature	-40 to +85C
Storage Temperature	-55 to +125C

Notes:

- ✓ Datasheet may be changed according to update of MMIC, Raw materials , process, and so on.
- ✓ This data is only for reference, not for guaranteed specifications.
- ✓ Please contact AT Microwave team to make sure you have the most current data.

Part Number Selection Guide

Item	Description
PN	Stand Module with DC Power Supply
PN-LCBT	L ow Cost, C ompact B ench- T op, +220V Supply with AC/DC Adapter





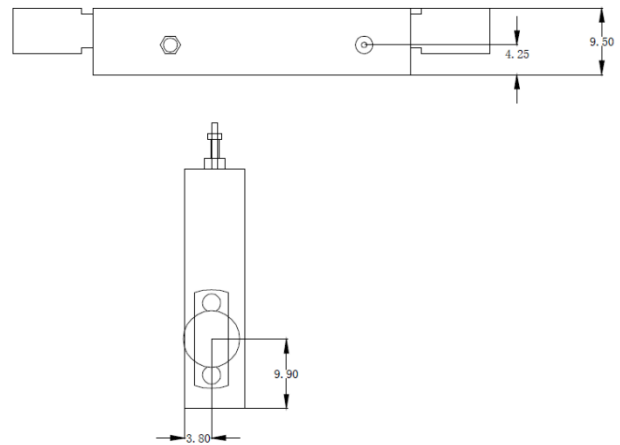
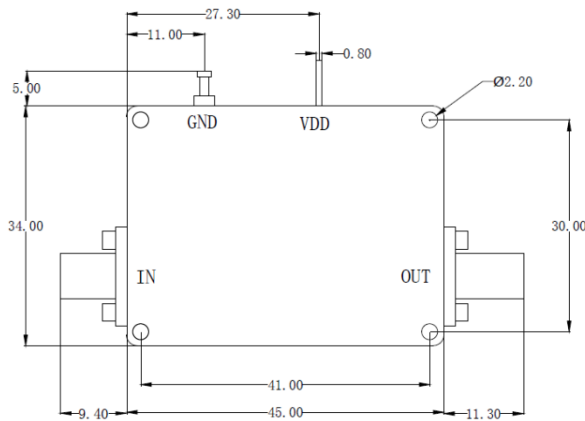
AT-AM2-1030-15XC

Active Multiplier x2, 10-30GHz Pout=+15dBm

Test Data (25C)

Please note that test curves will vary slightly from unit to unit.

Dimension: (Unit:mm)



	<26.5GHz	<40GHz	<50GHz	<67GHz
Connector	SMA	2.92mm	2.4mm	1.85mm
Lenth of a	9.4mm	9.5mm	10.8mm	11.3mm

Heat Sink Required If Case Temp Higher Than 50C

