

Full D Band Active Multiplier



Description:

AT-AM12-110170T is a full D band, active x12 frequency multiplier. The multiplier has an input frequency of 9.16-14.16 GHz with a typical output 0dBm from 110-170GHz.

The X12 Multiplier is combined by AT-AM6-5590-15T and AT-PM2-110170. The input port is SMA female, and the output is WR-06. Other port configurations are available under different requirement.

More information, please visit www.atmicrowave.com

Feature

- ✓ Frequency: 110-170GHz
- ✓ Pout: 0dBm typical
- ✓ Input: 9.16-14.16GHz
- ✓ Low Harmonics

Application

- ✓ D band Communication
- ✓ Test Equipment
- ✓ ROF (RF Over Fiber)
- ✓ Radar System

Electronical Specifications:

Parameter	Min	Typical	Max
Input Frequency	9.16GHz		14.16GHz
Input Power	+10dBm	+12dBm	+15dBm
Multiplier Factor		X8	
Output Frequency	110GHz		170GHz
Output Power		+0dBm	
Harmonic Suppression		-25dBc	
Drain Voltage		+5V	+6V
Current NO RF/Psat		0.66/0.8A	
Spec Temp		25C	





AT-AM12-110170T

Active Multiplier x12, 110-170GHz Pout=+0dBm

Mechanical Information

Item	Description
Input Port	SMA Female
Output Port	WR-06
Case Material	Copper
Finish	Gold Plated
Weight (Without Heatsink)	245g
Dimension	See Outline

Absolute Maximum Ratings Table

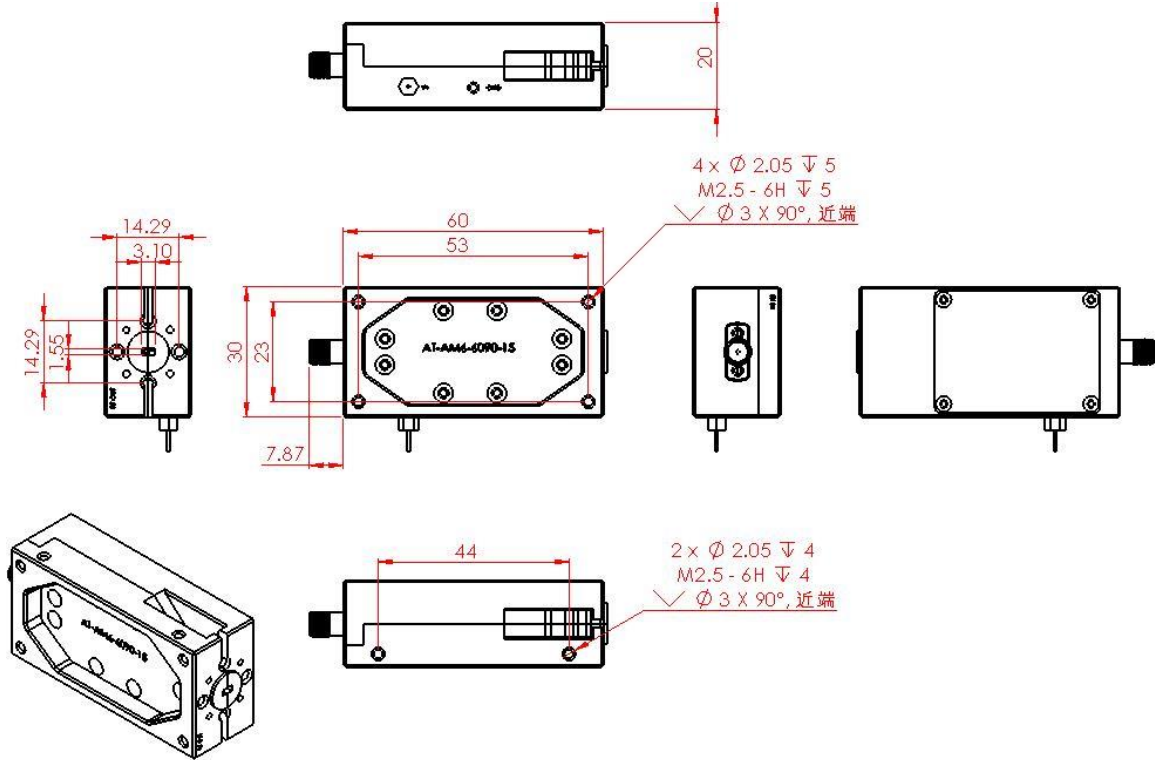
Parameter	Value
Drain Supply	+8V
RF Input Power	+18dBm
Operating Temperature	0 to +50C
Storage Temperature	-65 to +150C

Notes:

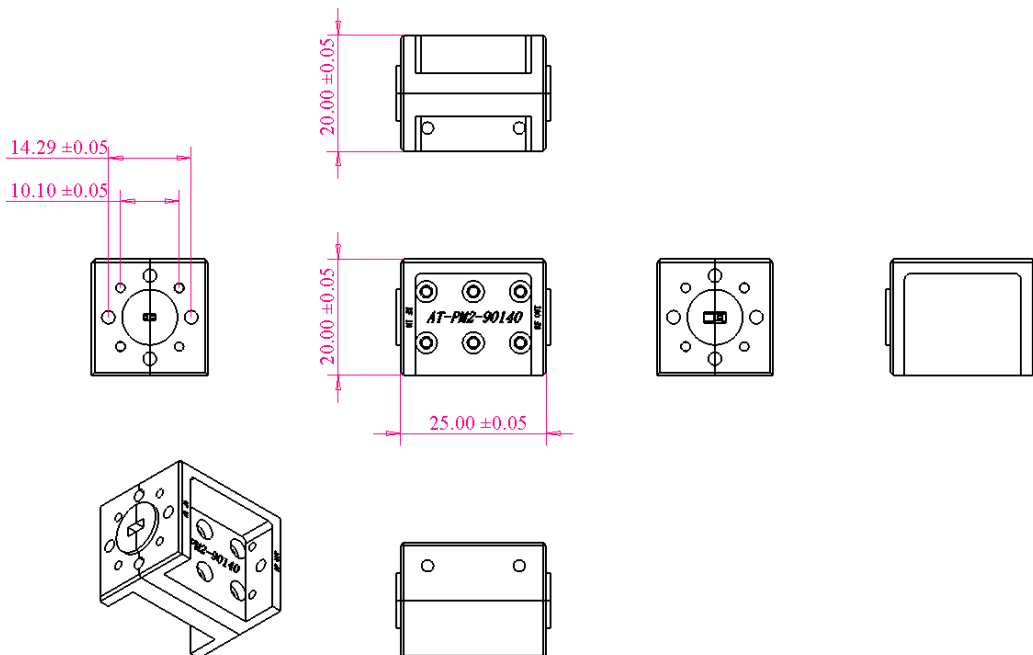
- ✓ Datasheet may be changed according to update of MMIC, Raw materials , process, and so on.
- ✓ This data is only for reference, not for guaranteed specifications.
- ✓ Please contact AT Microwave team to make sure you have the most current data.
- ✓ Always pay attention to the temperature of the case, heatsink and fan are required if case temperature exceeds over 50C.

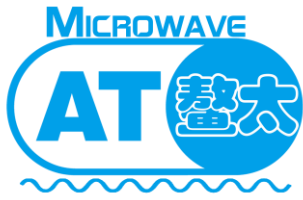


Dimension



AT-AM6-5590-15T Outline





AT-AM12-110170T

Active Multiplier x12, 110-170GHz Pout=+0dBm

AT-PM2-110170 Outline

