

110-150GHz D Band Active Multiplier

2021-4-12

Description:

AT-AM12-110150T is a D band, active X12 frequency multiplier. The multiplier has an input frequency of 9.16-12.5 GHz with a typical output -3dBm from 110-150GHz.

The X12 Multiplier is combined by [AT-AM4-1852-17X](#) and [AT-PM3-110150T](#). The input port is SMA female, and the output is WR-06. Other port configurations are available under different requirement.

More information, please visit www.atmicrowave.com



Feature

- ✓ Frequency: 110-150GHz
- ✓ Pout: -3dBm typical
- ✓ Input: 9.16-12.5GHz
- ✓ Low Harmonics

Application

- ✓ D band Communication
- ✓ Test Equipment
- ✓ ROF (RF Over Fiber)
- ✓ Radar System

Electronical Specifications:

Parameter	Min	Typical	Max
Input Frequency	9.16GHz		12.5GHz
Input Power	+10dBm	+13dBm	+15dBm
Multiplier Factor		X12	
Output Frequency	110GHz		150GHz
Output Power Pin=+18dBm		-3dBm	
X11/X13 Harmonic Suppression		-20dBc	
Drain Voltage		+5V	+6V
Current NO RF/Psat		0.27/0.35A	
Spec Temp		25C	





AT-AM12-110150T

Active Multiplier x12, 110-150GHz Pout=-3dBm

Mechanical Information

Item	Description
Input Port	SMA Female
Output Port	WR-06
Case Material	Copper
Finish	Gold Plated
Weight (Without Heatsink)	245g
Dimension	See Outline

Absolute Maximum Ratings Table

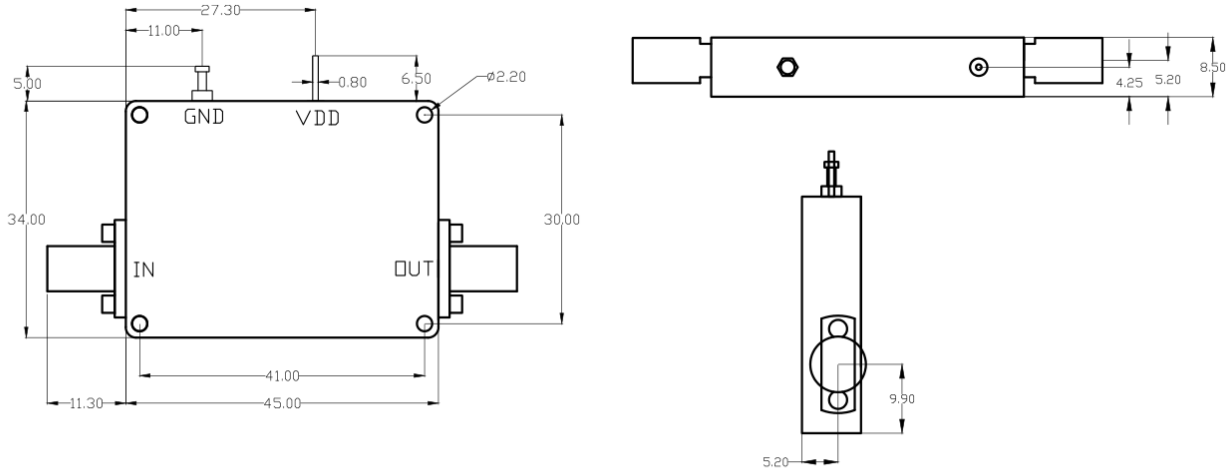
Parameter	Value
Drain Supply	+13V
RF Input Power	+20dBm
Operating Temperature	0 to +50C
Storage Temperature	-65 to +150C

Notes:

- ✓ Datasheet may be changed according to update of MMIC, Raw materials , process, and so on.
- ✓ This data is only for reference, not for guaranteed specifications.
- ✓ Please contact AT Microwave team to make sure you have the most current data.
- ✓ Always pay attention to the temperature of the case, heatsink and fan are required if case temperature exceeds over 50C.



Dimension

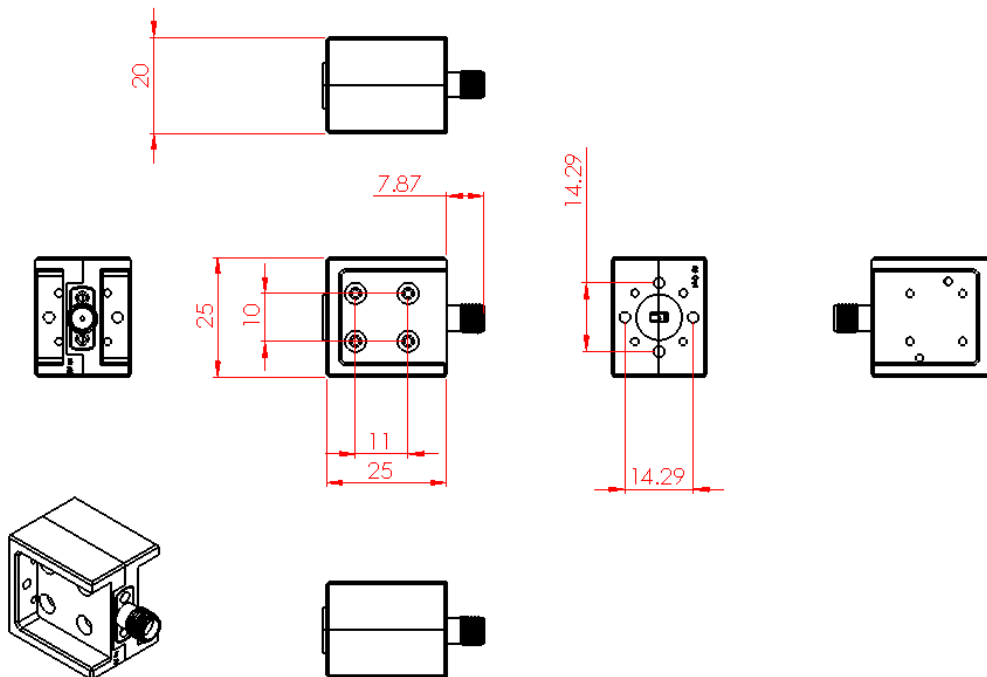


In millimetres

The 11.30 size marked is 1.85mm female connector

if use SMA female the size is 9.4 and 2.92mm female is 9.5

AT-AM4-1852-17X Outline



AT-PM3-110150T Outline

