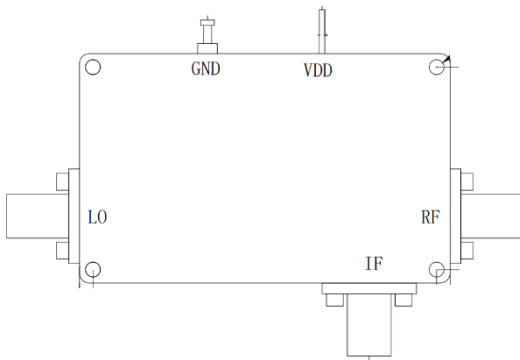


10-44GHz Balance Mixer, 2.92mm Integrated X4 Multiplier LO Port

2021-12-9



Description:

AT-4MIX-1044 is an up and down balance mixer covering 10-44GHz based on GaAs MMIC technology.

RF Port frequency range is from 10-44GHz with 2.92mm connector. LO range is 5-11GHz as X4 multiplier inside on LO chain. IF port frequency from DC to 14GHz with SMA Female connector.

More information, please visit www.atmicrowave.com

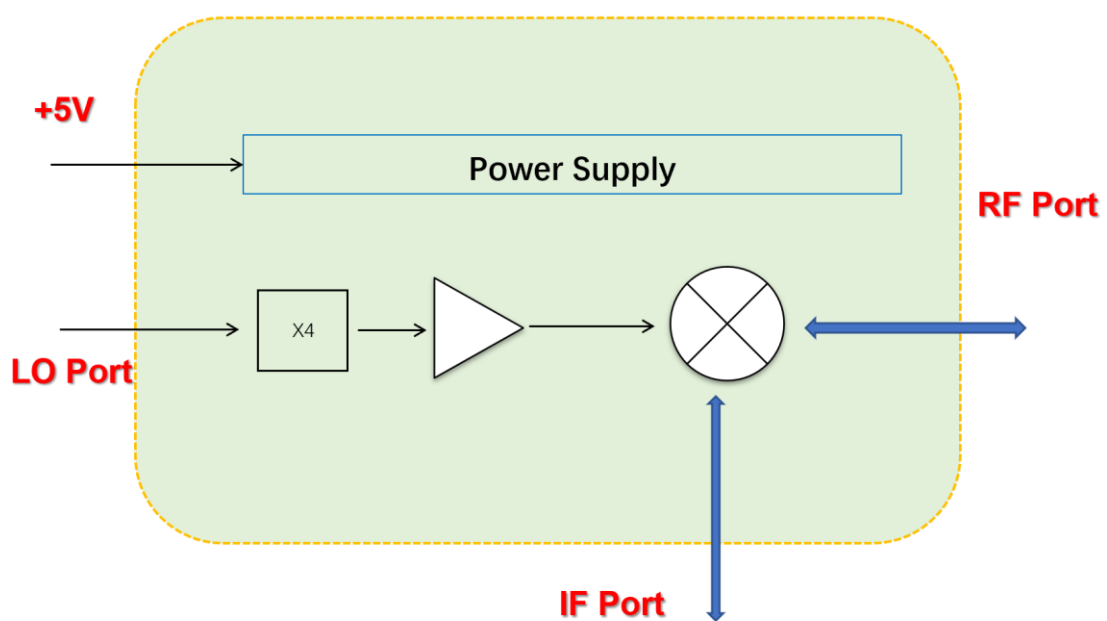
Feature

- ✓ RF Range: 10-44GHz
- ✓ LO Range: 5-11GHz
- ✓ Low Conversion Loss
- ✓ High RF/LO Isolation

Application

- ✓ Automotive Test
- ✓ Test Equipment
- ✓ ROF (RF Over Fiber)
- ✓ Radar System

Diagram Block





AT-4MIX-1044

10-44GHz Balance Mixer Integrated with x4

Electronical Specifications: (IF=100MHz if not specified)

Parameter	Min	Typical	Max
RF Frequency		10-44GHz	
IF Range		DC-14GHz	
Conversion Loss		-10dB	-15dB
LO Input Frequency		5-11GHz	
LO Driver	+12	+13dBm	+15
LO Multiplier Factor		X4	
Input P1dB -Up converter		+8dBm	
Input IP3 -Up converter		+18dBm	
4XLO to RF Leakage -Up converter		-20dBm	
Vdd		+5V	+8V
Idd		0.3A	
Spec Temp		25C	

Mechanical Information

Item	Description
RF Port	2.92mm
LO Port	SMA Female
IF Port	SMA Female
Case Material	Copper
Finish	Gold Plated
Weight	30g
Size:	See outline

Absolute Maximum Ratings Table

Parameter	Value
IF Power	+15dBm
RF Power	+20dBm
LO Power	+23dBm
Vdd	+9V
Operating Temperature	-20 to +70C
Storage Temperature	-65 to +150C



Notes:

1. Datasheet may be changed according to update of MMIC, Raw materials , process, and so on.
2. This data is only for reference, not for guaranteed specifications.
3. Please contact AT Microwave team to make sure you have the most current data.

Dimension

